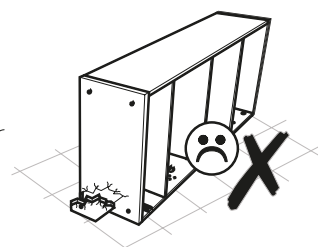
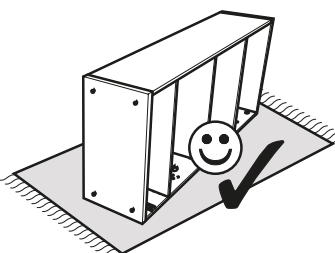
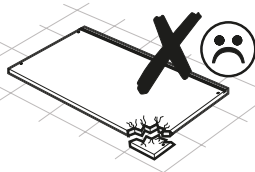
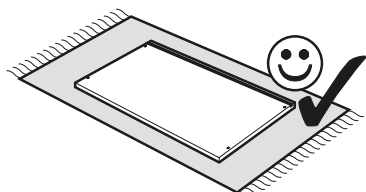
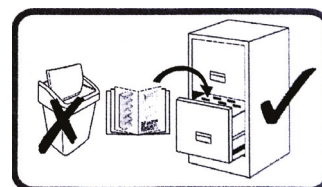
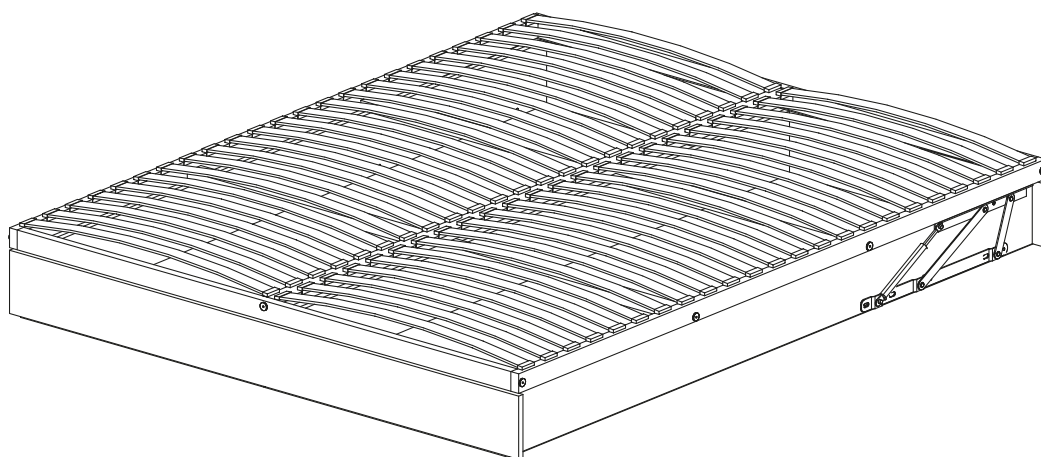
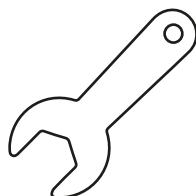
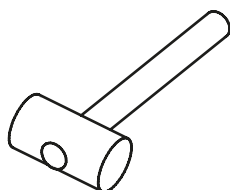
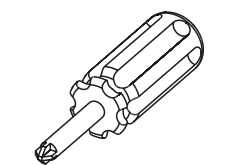
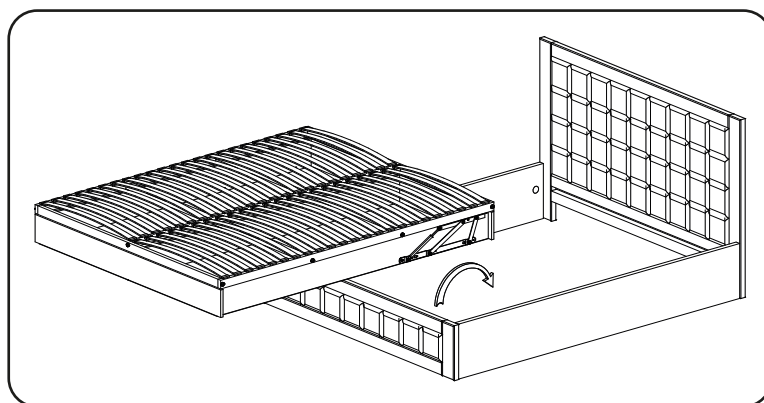
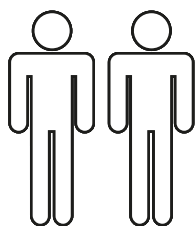
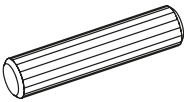
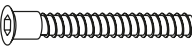
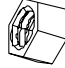
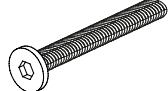
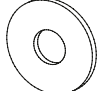
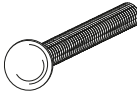
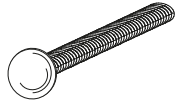
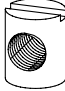
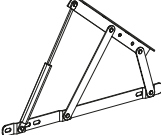
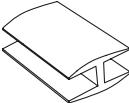

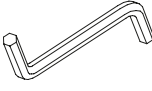


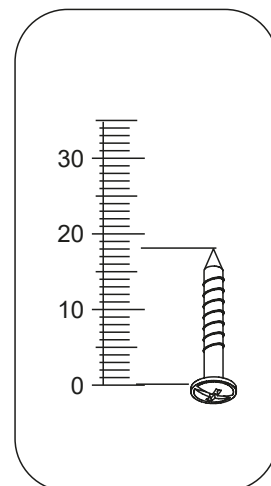
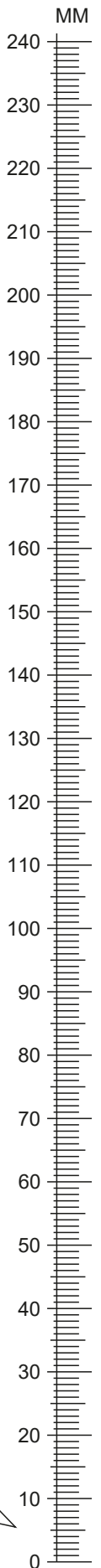
ADDITIONAL OPTION

ARBOR DREY

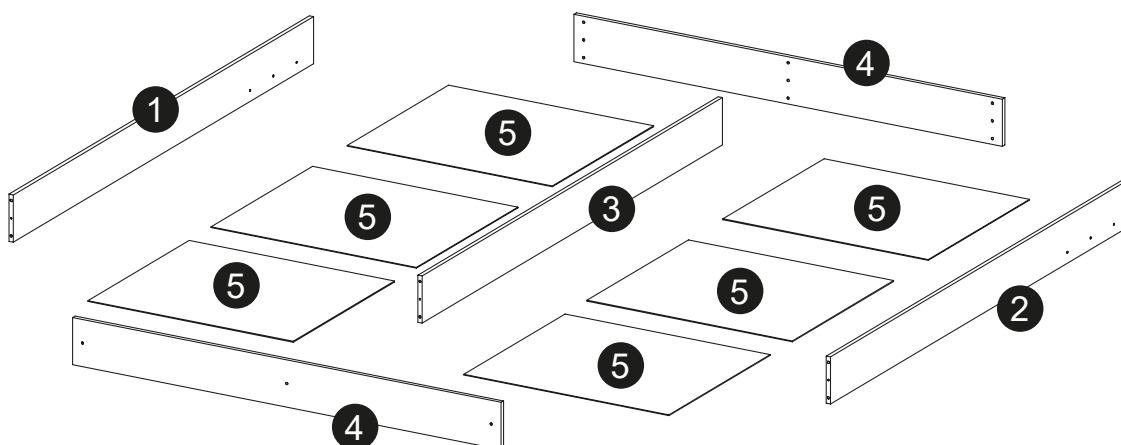
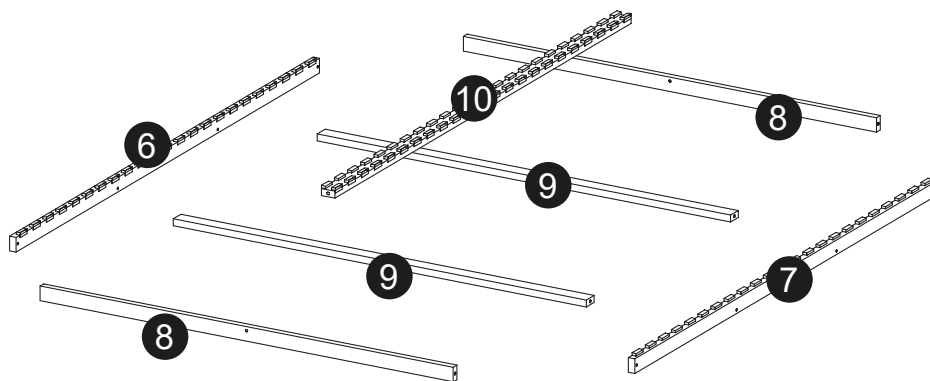
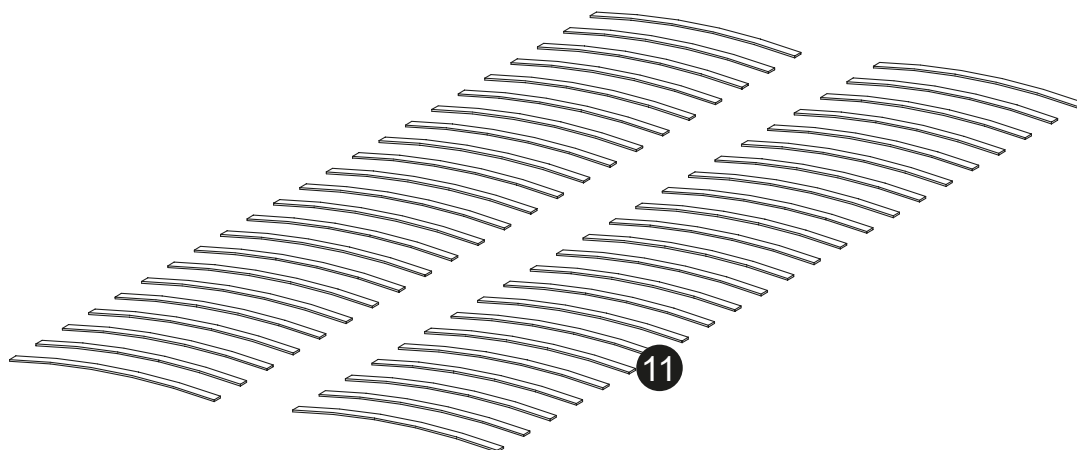


ADDITIONAL OPTION

<p>A0</p>  <p>8x50</p> <p>x12</p>	<p>B1</p>  <p>M6</p> <p>x6</p>	<p>J2</p>  <p>M6</p> <p>x10</p>
<p>J5</p>  <p>M6x60</p> <p>x10</p>	<p>J6</p>  <p>M6</p> <p>x10</p>	<p>J8</p>  <p>M6x35</p> <p>x6</p>
<p>J9</p>  <p>M6x70</p> <p>x4</p>	<p>J10</p>  <p>M6</p> <p>x10</p>	<p>P1</p>  <p>x2</p>
<p>P2</p>  <p>x4</p>	<p>G0</p>  <p>x1</p>	<p>Z</p>  <p>x1</p>

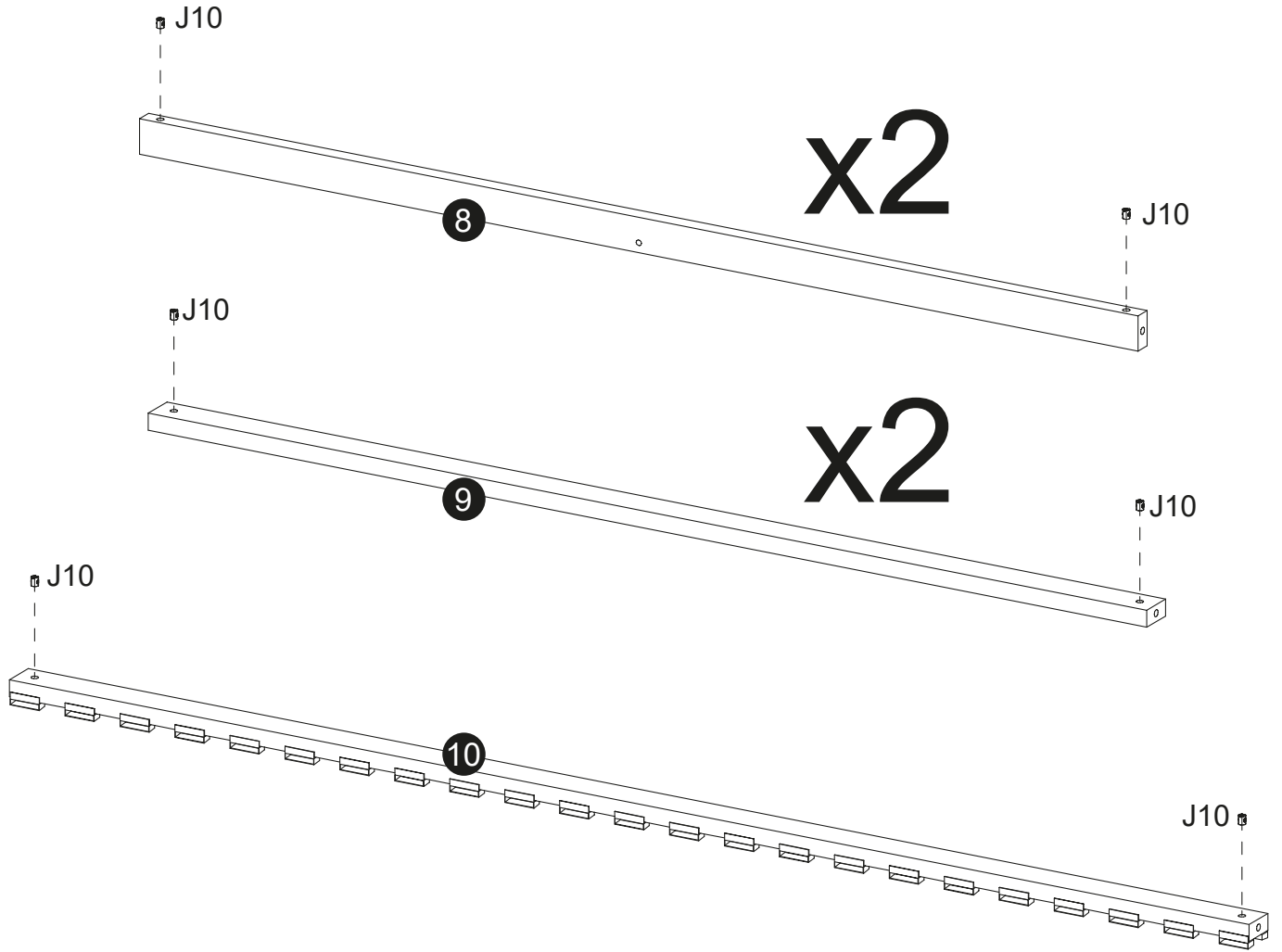
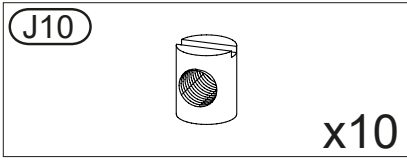


ADDITIONAL OPTION

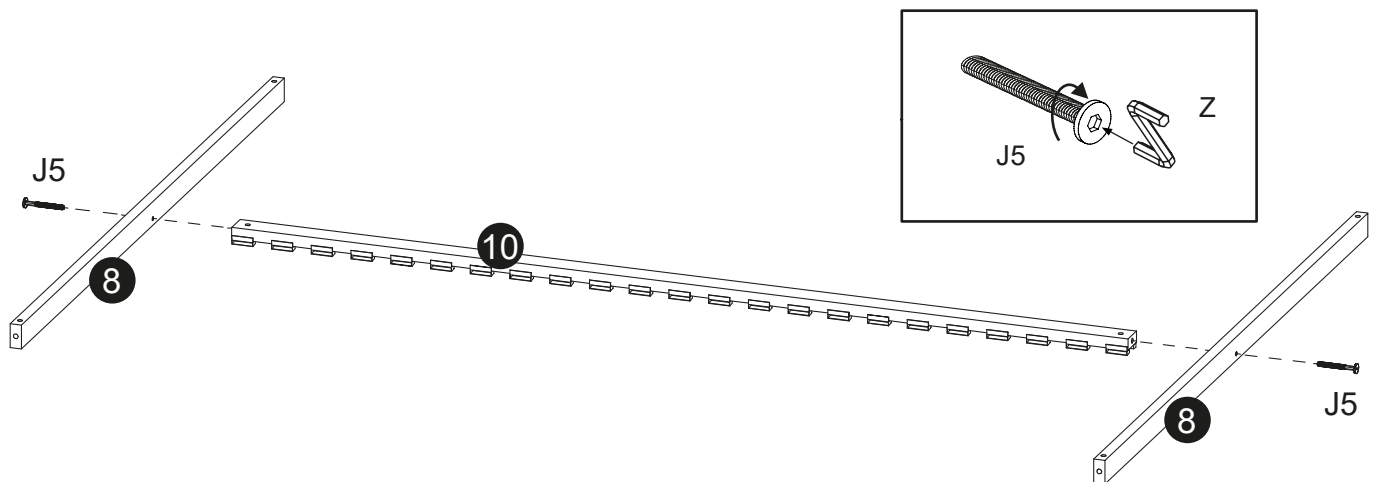
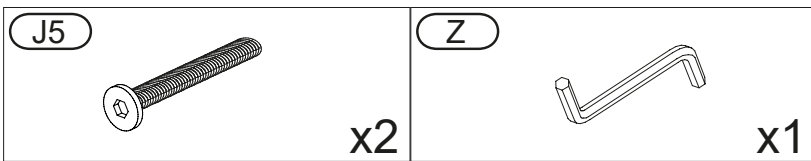


Colli 1/1: ① ② ③ ④x2 ⑤x6 ⑥ ⑦ ⑧x2 ⑨x2 ⑩ ⑪x46

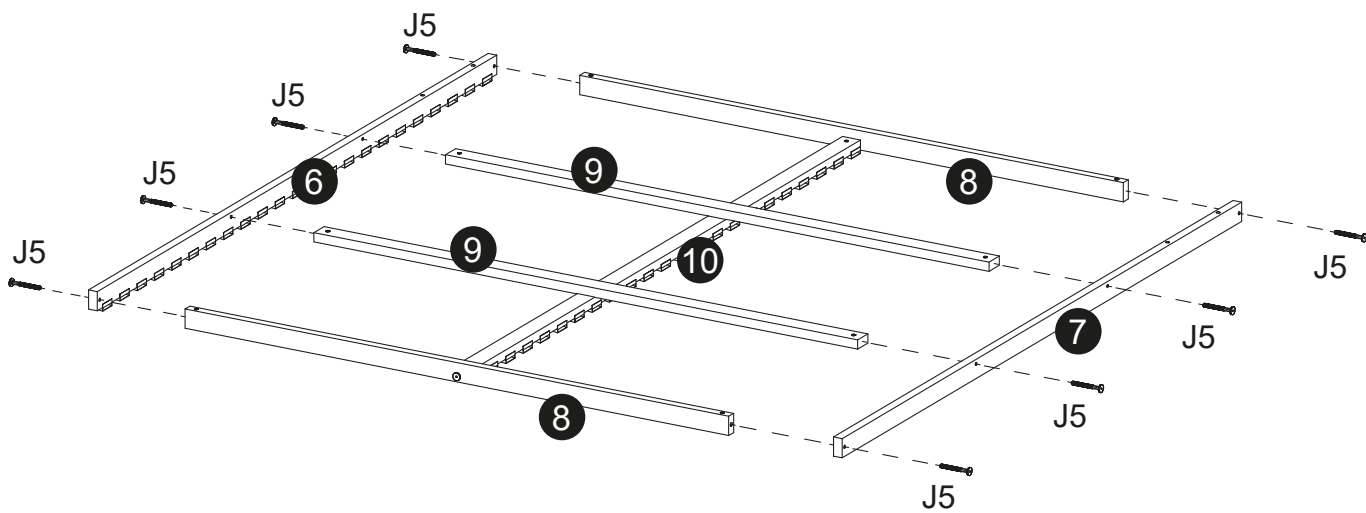
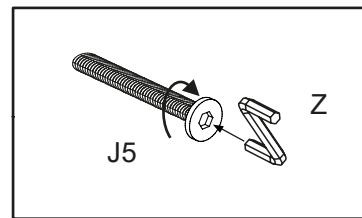
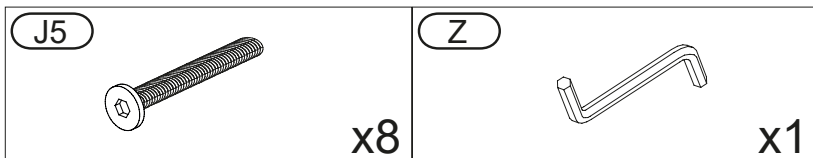
1



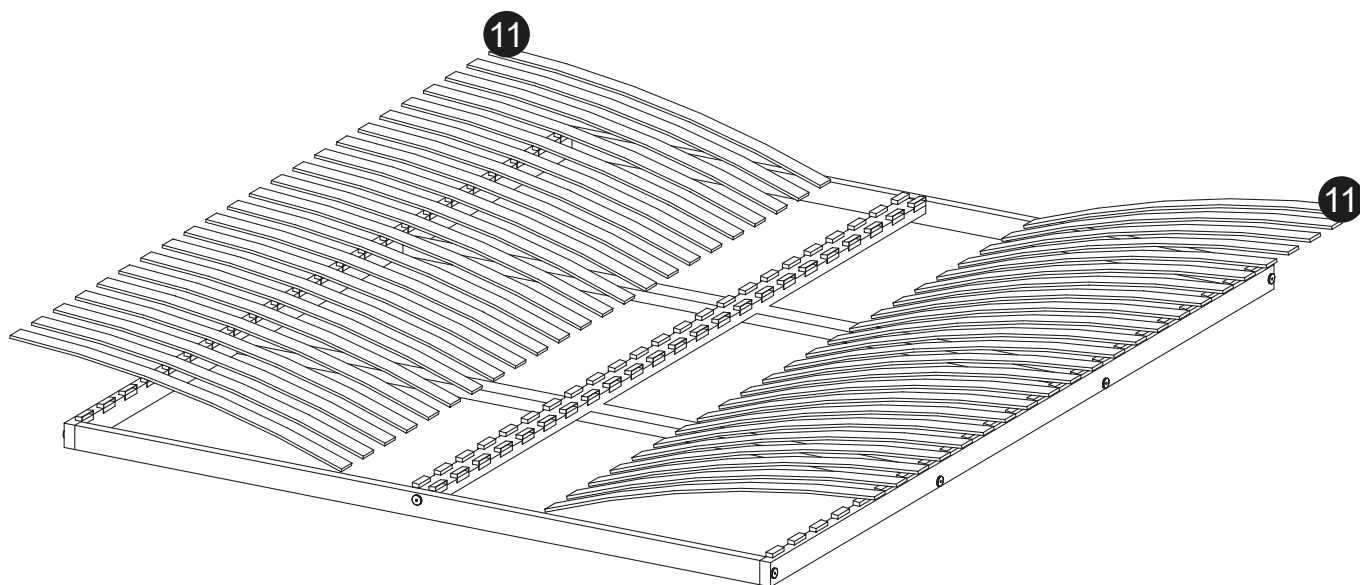
2



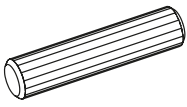
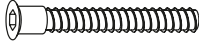
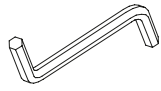
3

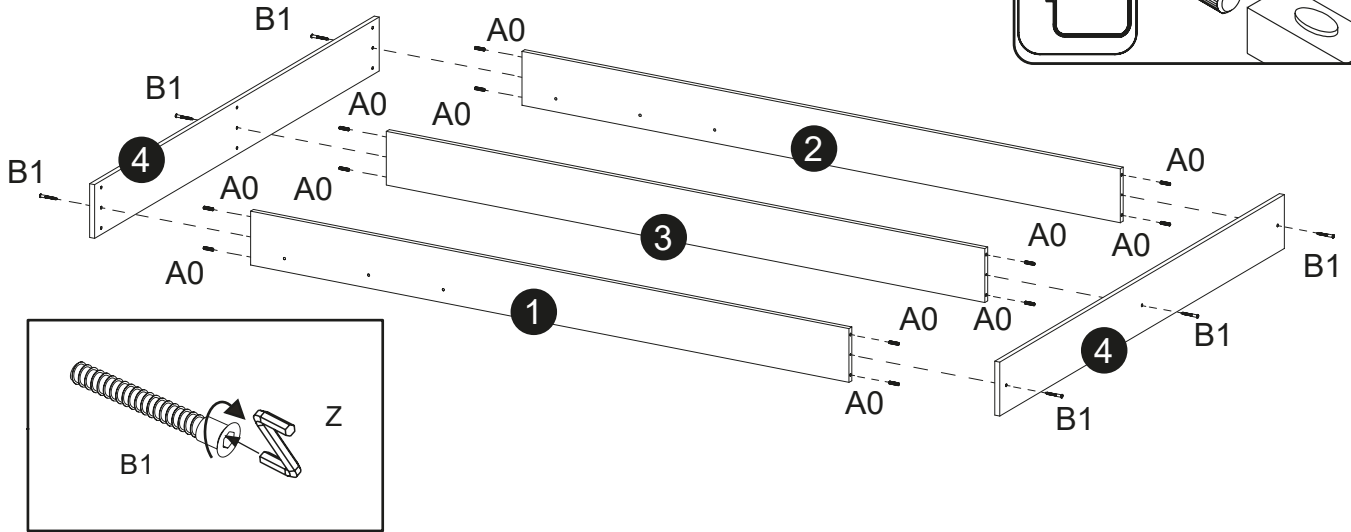
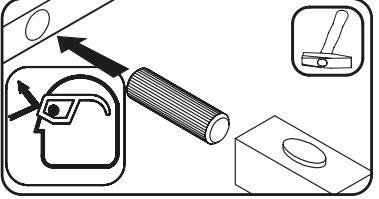


4


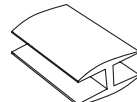


5

A0  8x50 x12	B1  x6	Z  x1
---	--	---

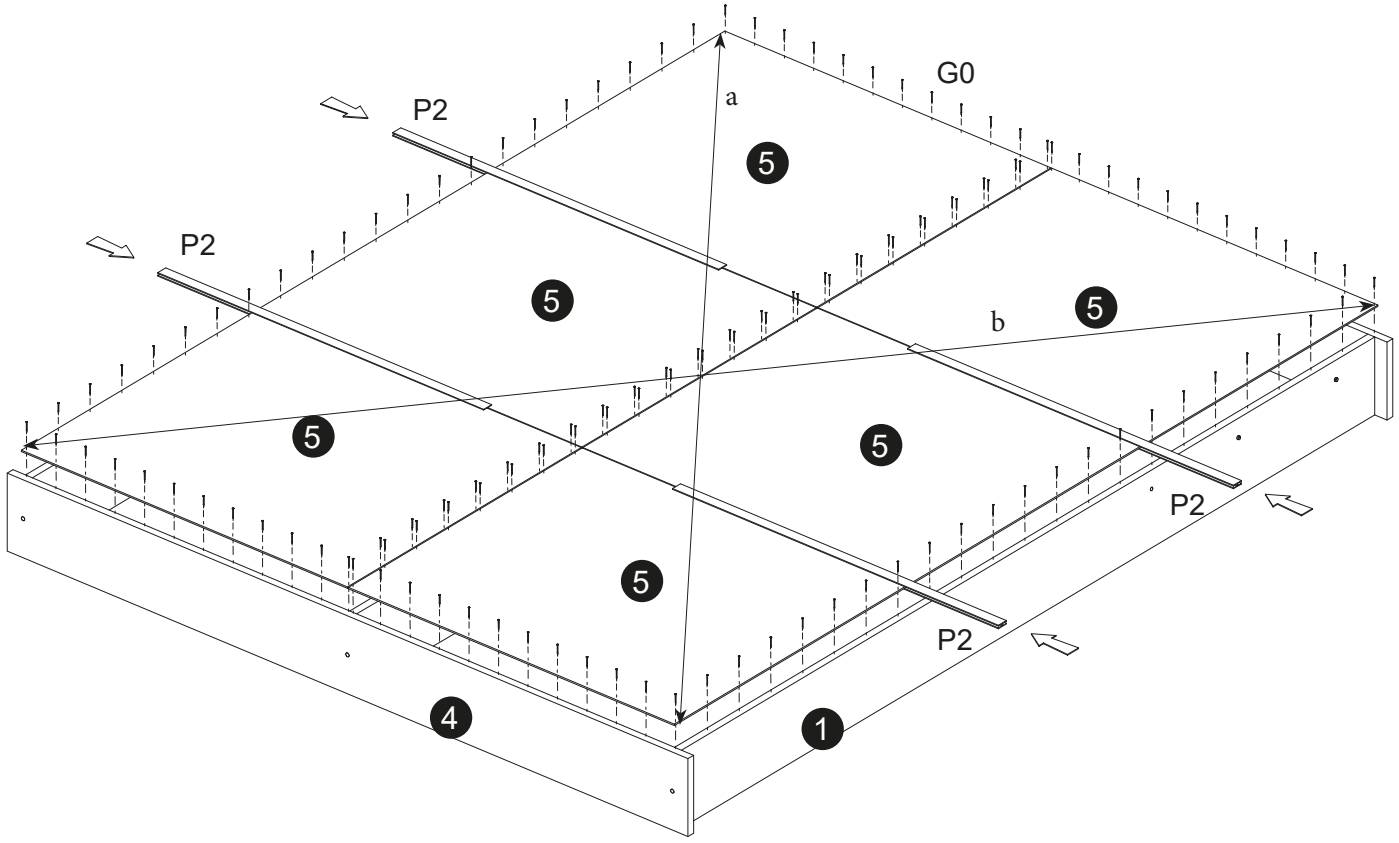


6

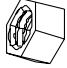
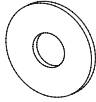
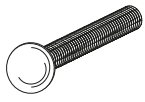
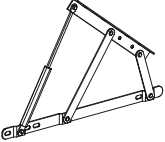
G0 	P2  x4
--	--

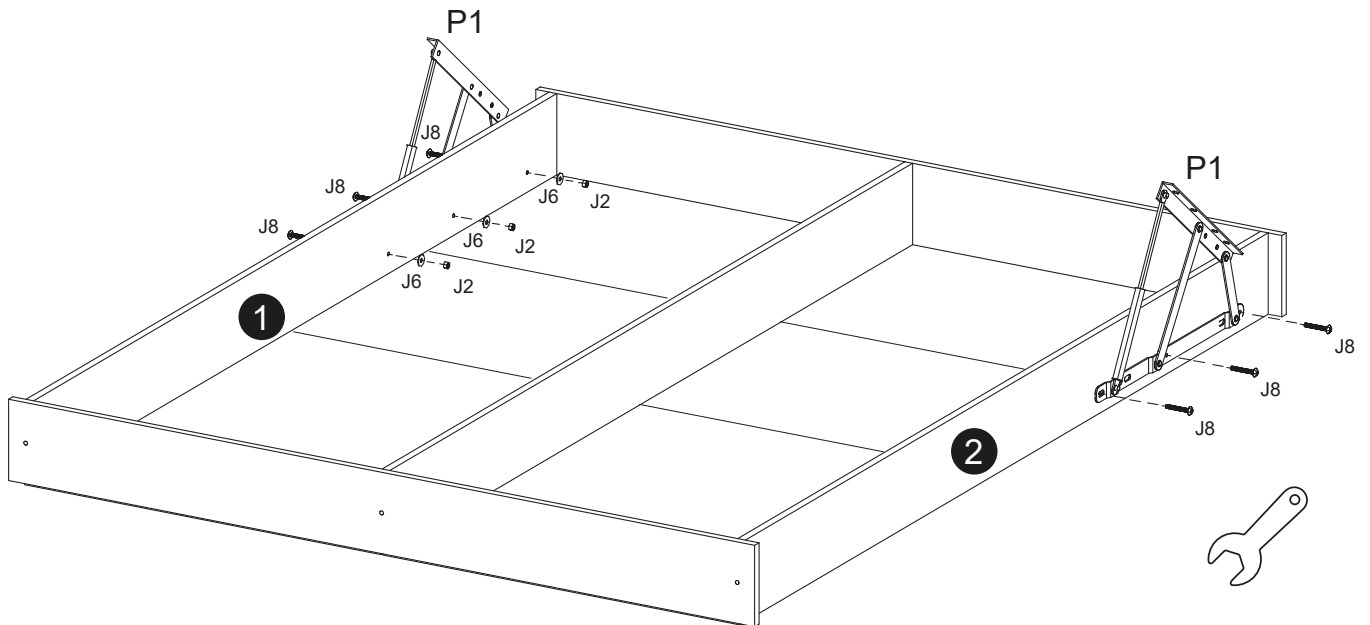


$a=b$

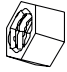
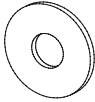
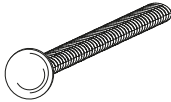


7

<p>J2</p>  <p>M6</p> <p>x6</p>	<p>J6</p>  <p>M6</p> <p>x6</p>	<p>J8</p>  <p>M6x35</p> <p>x6</p>
<p>P1</p>  <p>x2</p>		



18

J2		M6	x4
J6		M6	x4
J9		M6x70	x4

