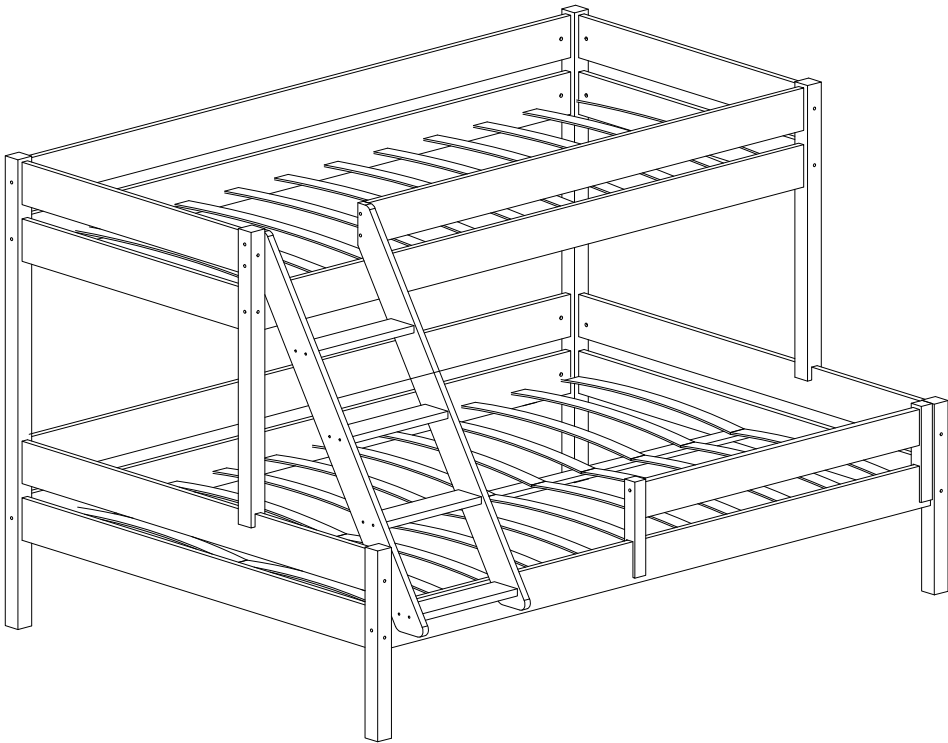
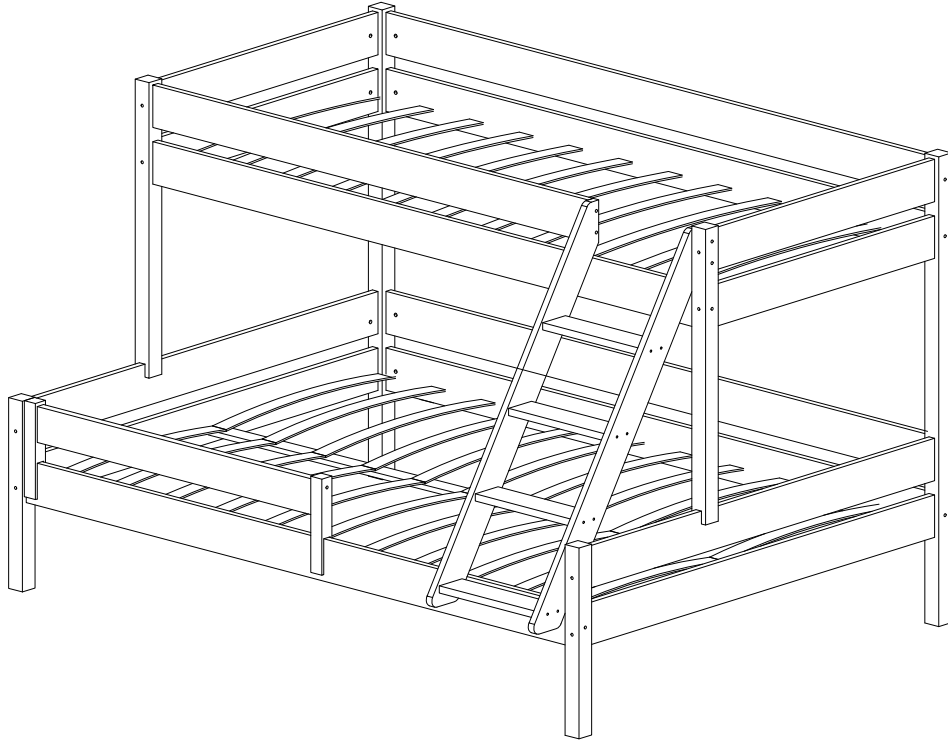
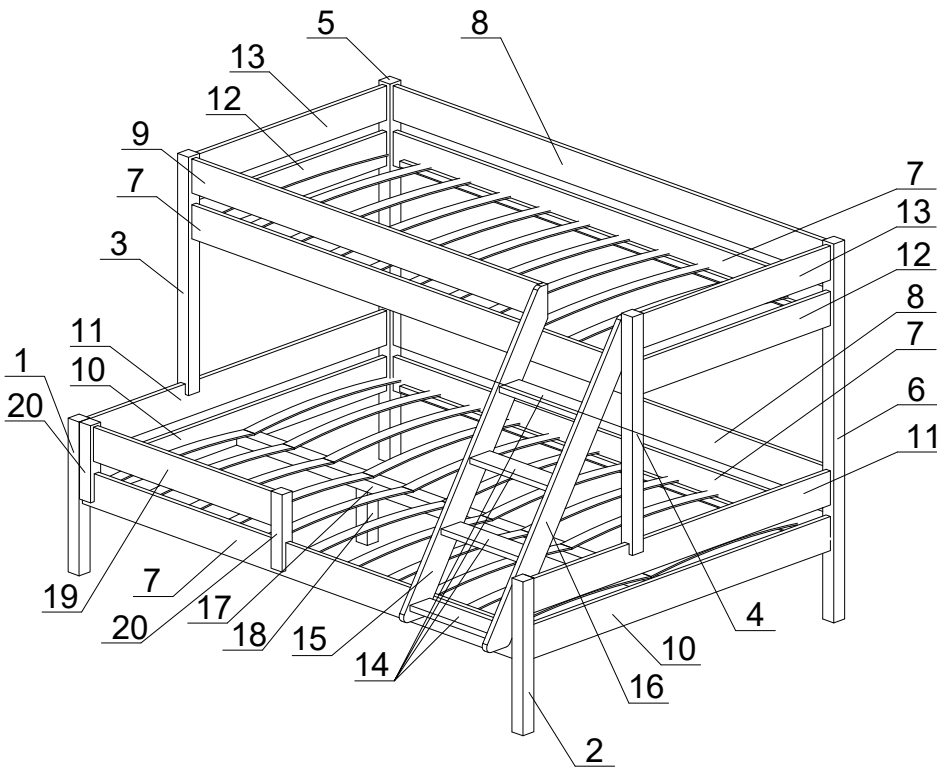


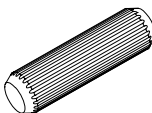
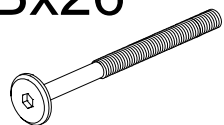
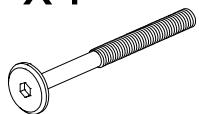
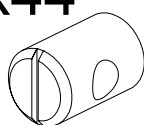
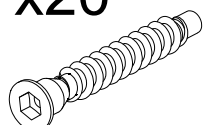
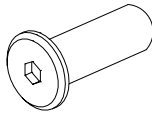
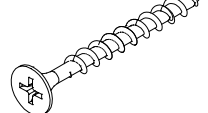
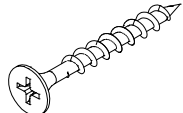
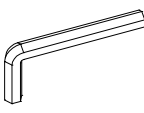
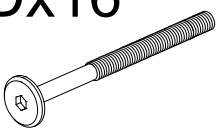
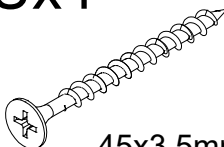
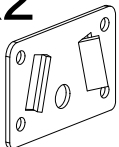
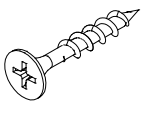
Atlanta



Atlanta

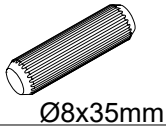


Elementeszeichen	Anzahl
1	1
2	1
3	1
4	1
5	1
6	1
7	4
8	2
9	1
10	2
11	2
12	2
13	2
14	4
15	1
16	1
17	1
18	2
19	1
20	2

Ax45  Ø8x35mm	Bx26  M6x80mm	Fx4  M6x55mm	Cx44  M6x10x14mm	Px20  Ø7x50mm
Gx2  Ø8x15mm	Ex2  35x3.5mm	Hx22  25x3.5mm	Jx1  4mm hex	Dx16  M6x100mm
	Ux4  45x3.5mm	Sx2 	Lx8  16x3.5mm	

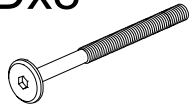
1

Ax16



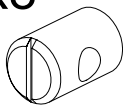
Ø8x35mm

Dx8



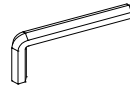
M6x100mm

Cx8



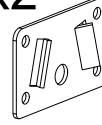
M6x10x14mm

Jx1

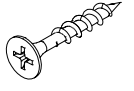


4mm hex

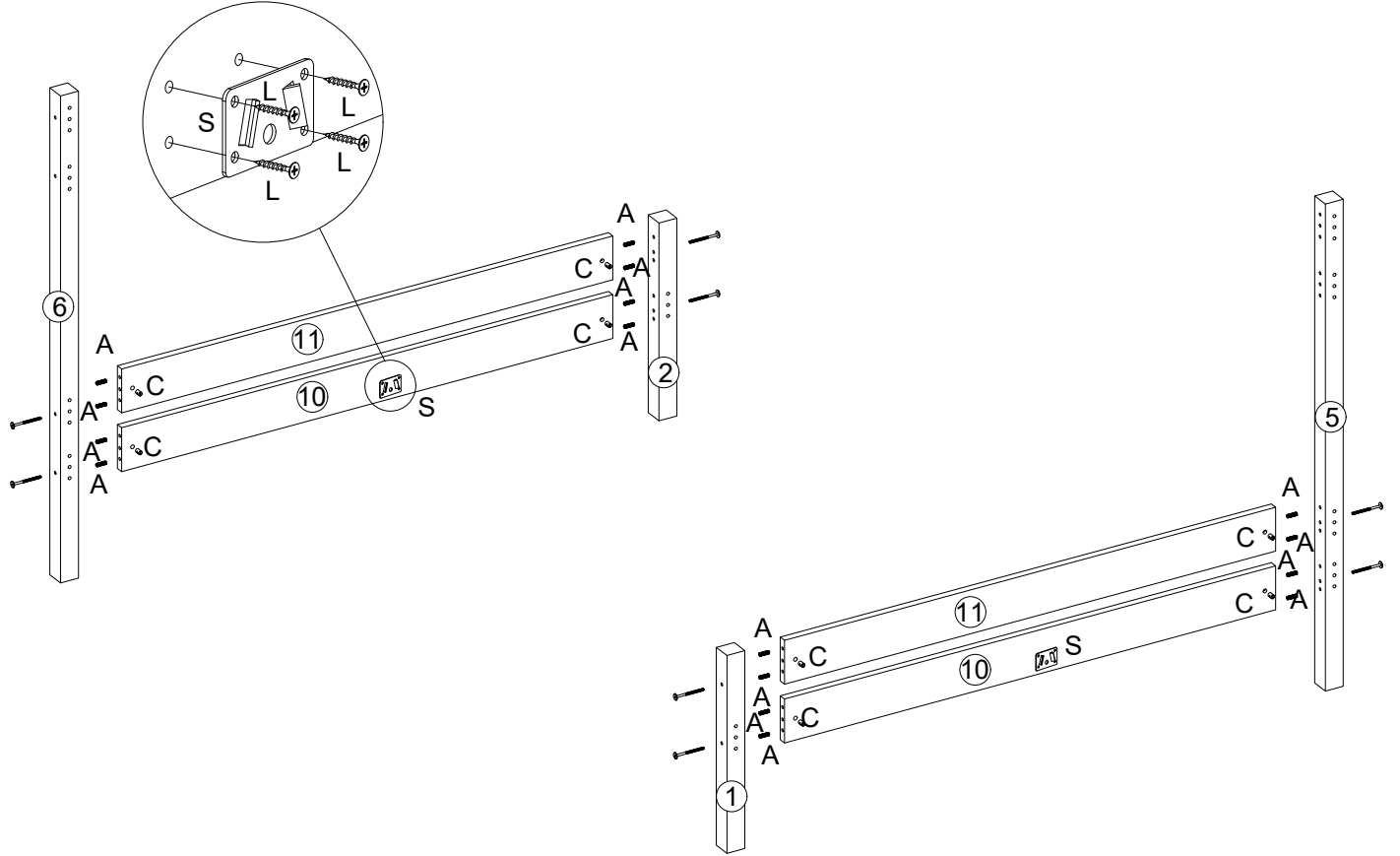
Sx2



Lx8

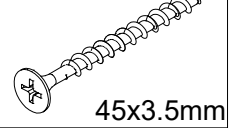


16x3.5mm

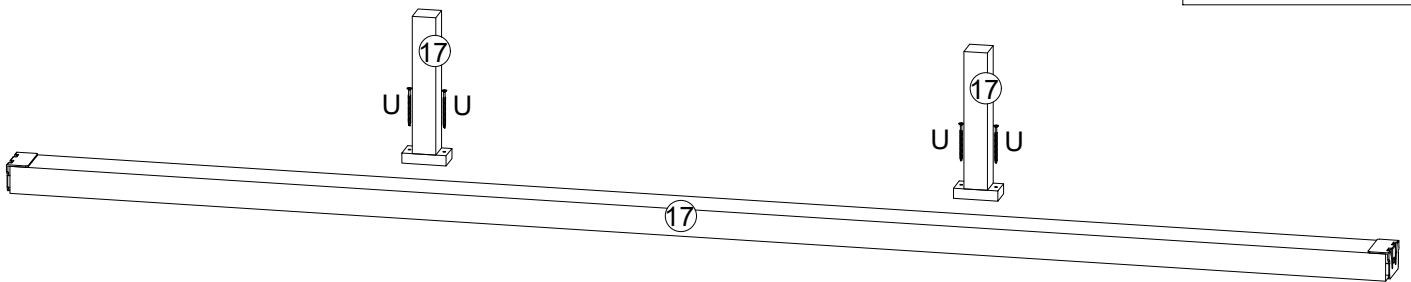


2

Ux4



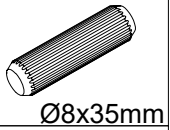
45x3.5mm



3

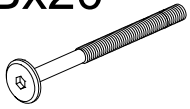
3

Ax10



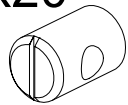
Ø8x35mm

Bx20



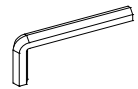
M6x80mm

Cx20

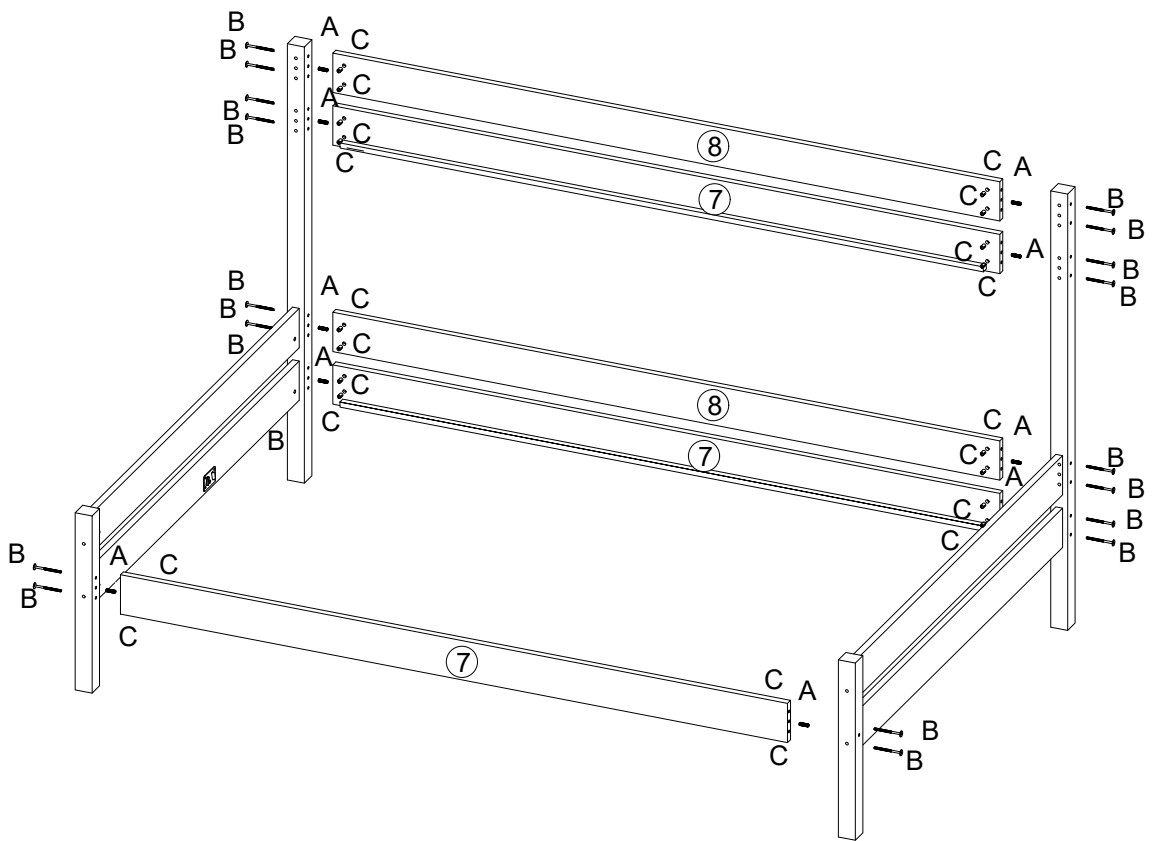


M6x10x14mm

Jx1

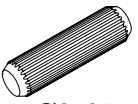


4mm hex



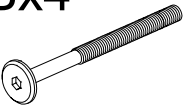
4

Ax2



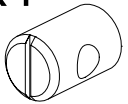
Ø8x35mm

Bx4



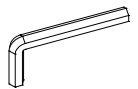
M6x80mm

Cx4

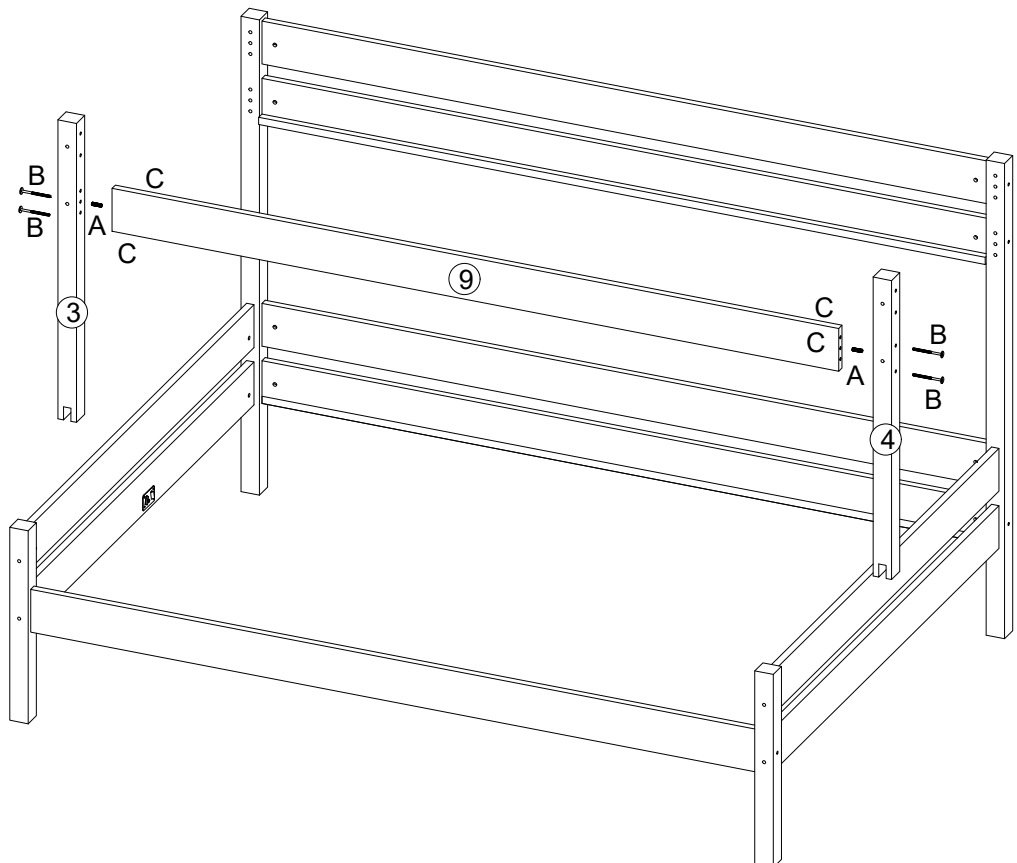


M6x10x14mm

Jx1



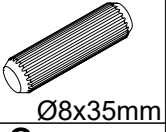
4mm hex



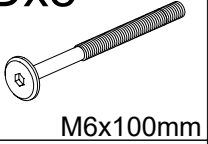
4

5

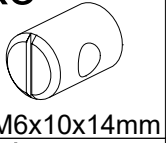
Ax16



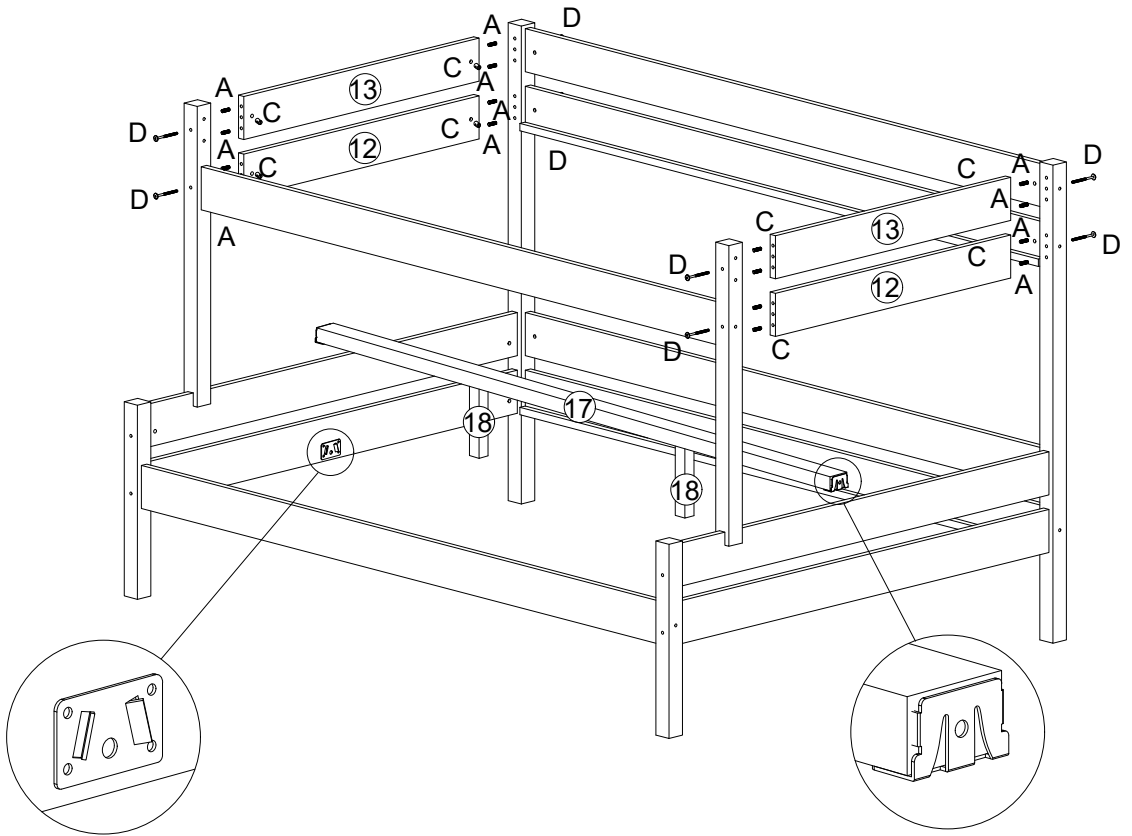
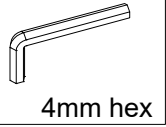
Dx8



Cx8



Jx1

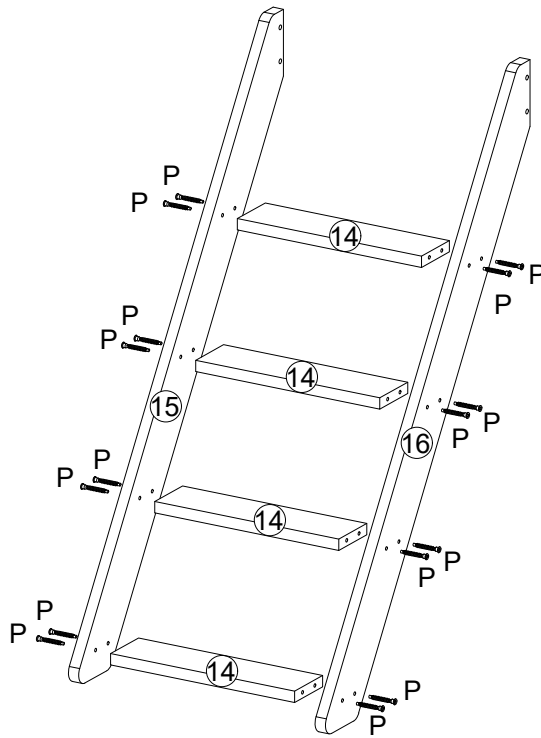
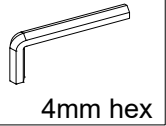


6

Px16



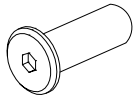
Jx1



5

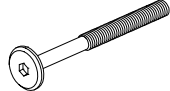
7

Gx2



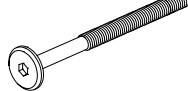
Ø8x15mm

Fx4



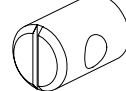
M6x55mm

Bx2



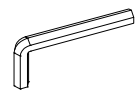
M6x80mm

Cx4

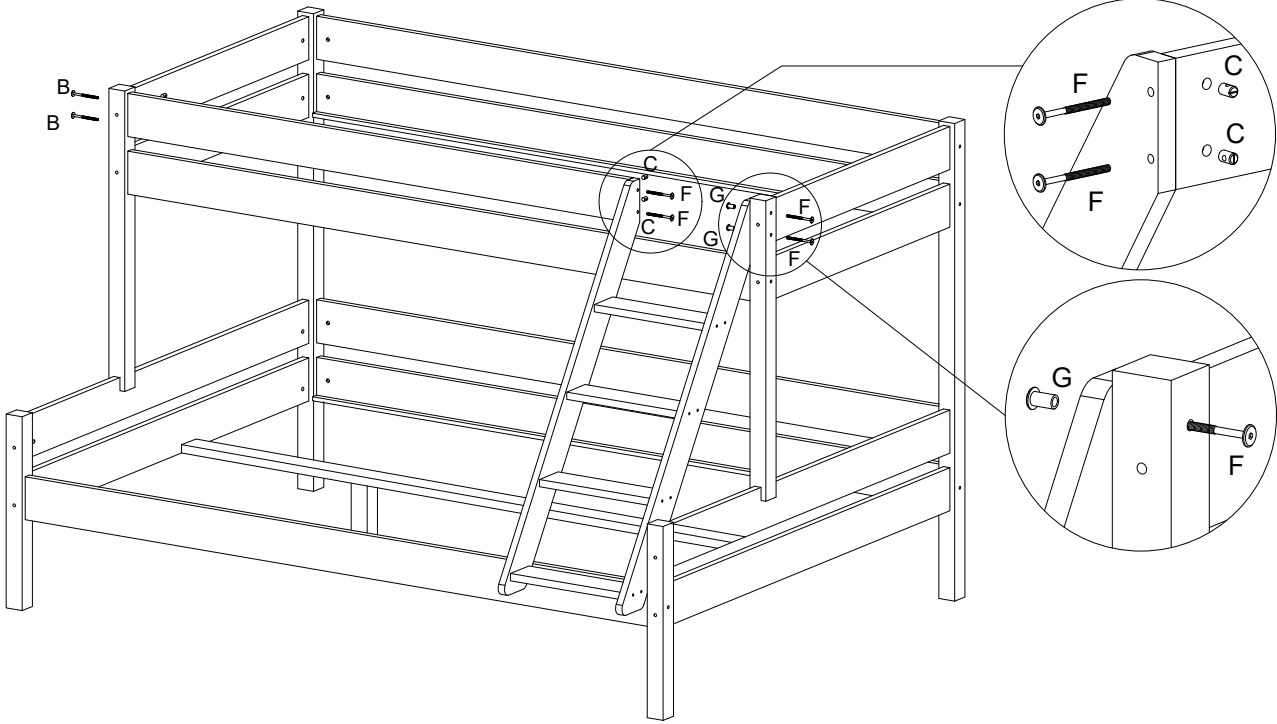


M6x10x14mm

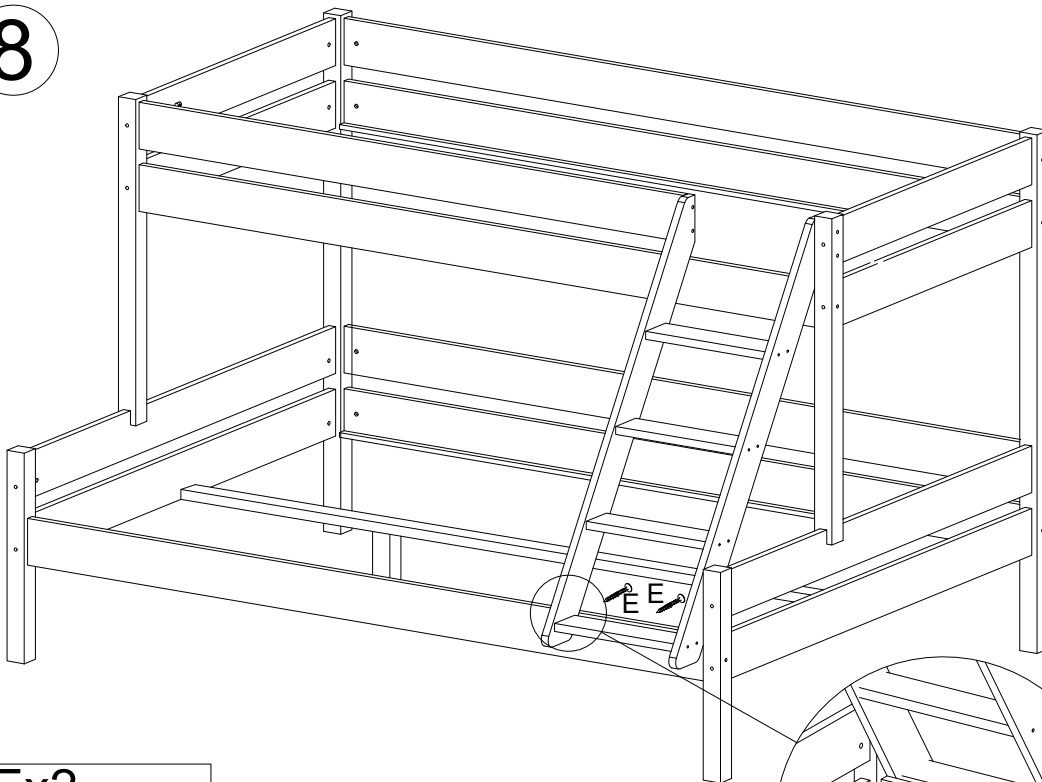
Jx1



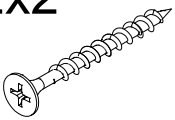
4mm hex



8



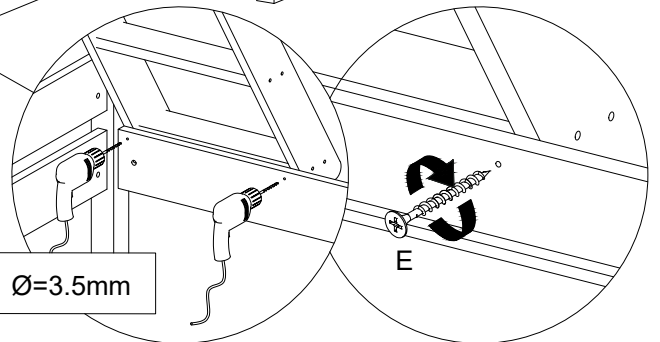
Ex2



35x3.5mm

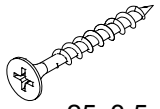
6

Ø=3.5mm

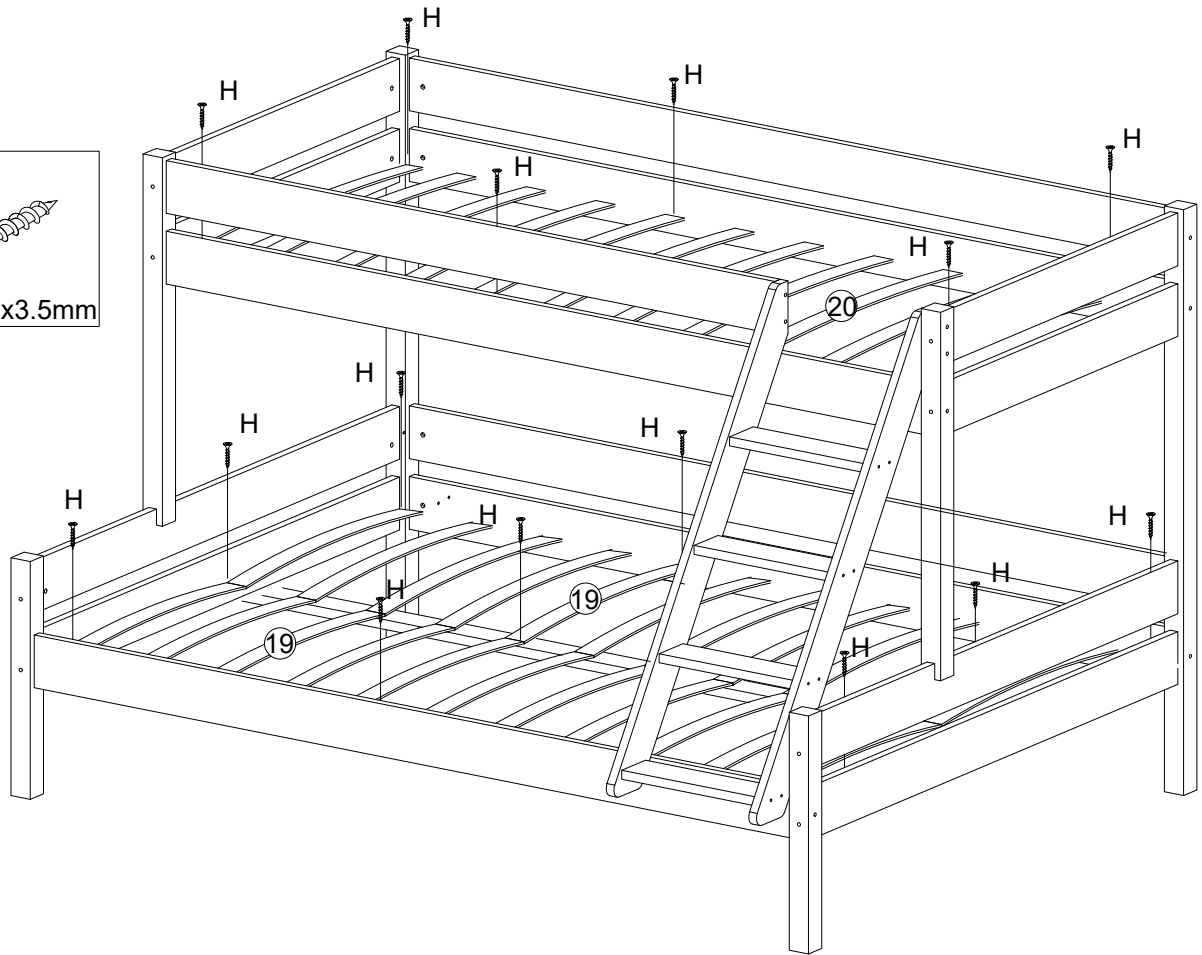


9

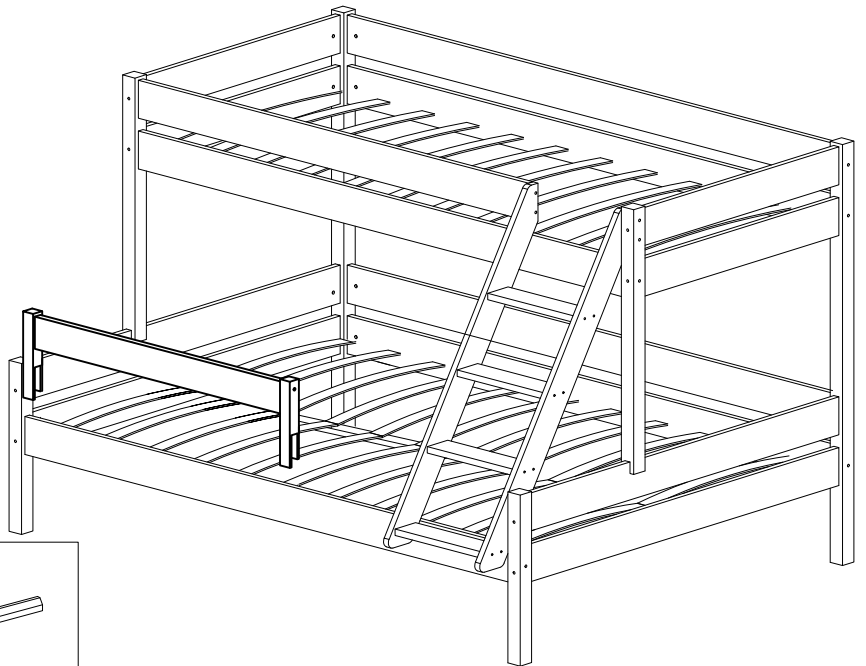
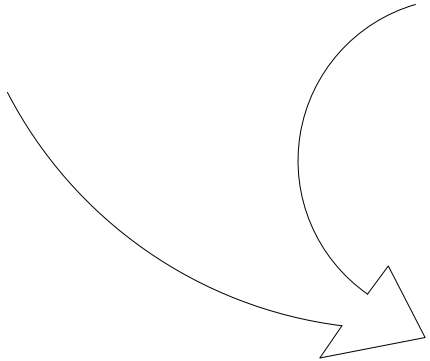
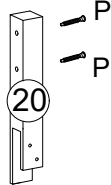
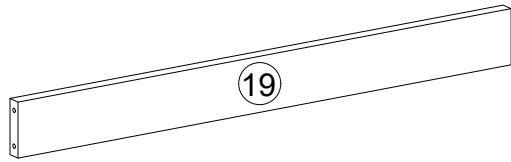
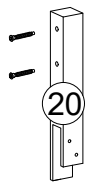
Hx18



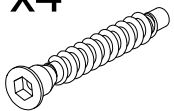
25x3.5mm



10

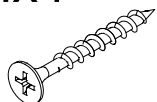


Px4



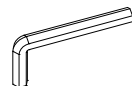
Ø7x70mm

Hx4



25x3.5mm

Jx1



4mm hex

7