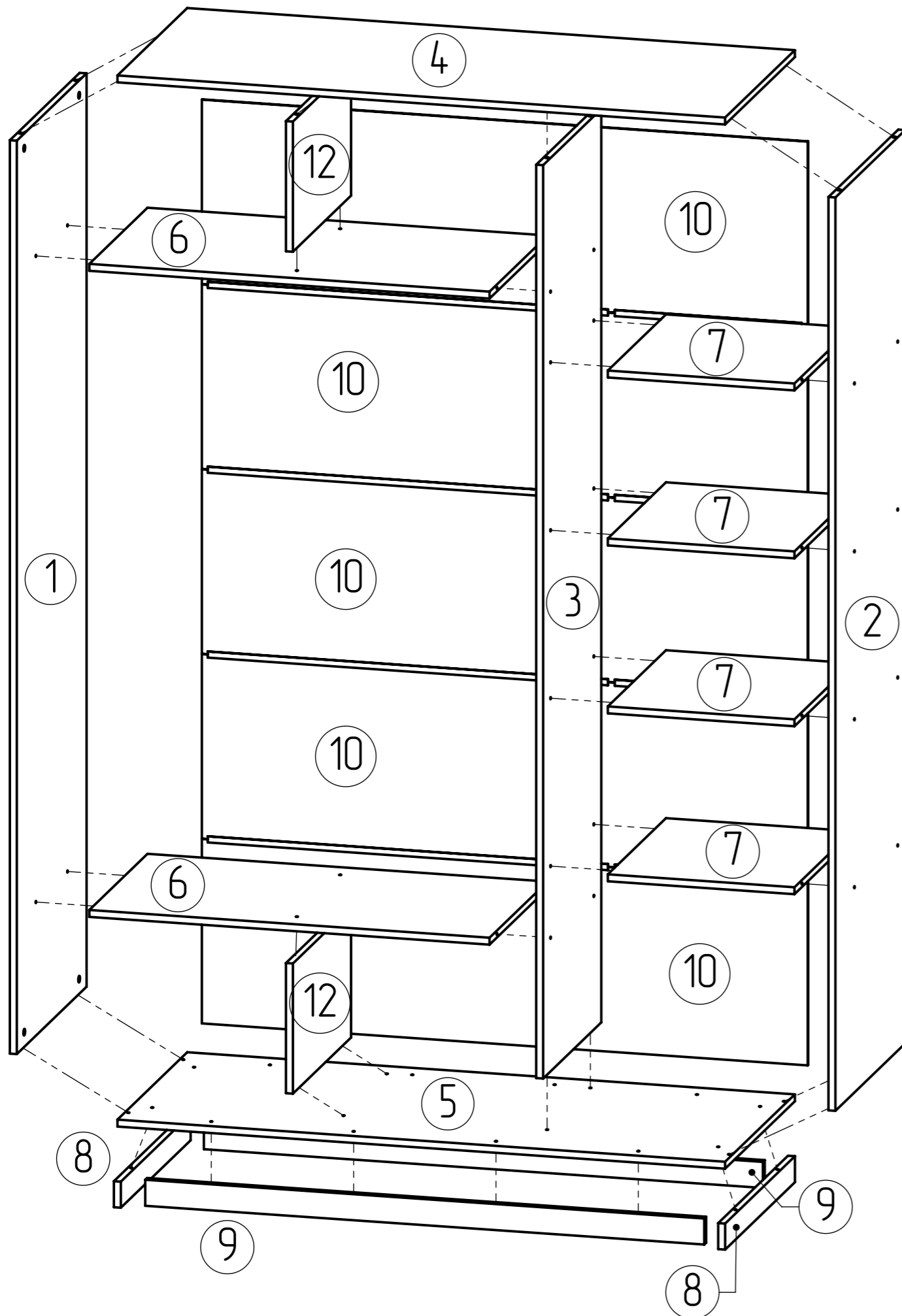


G40-KT-02-A



Виробництво меблів: Garant
м.Новоград-Волинський, Житомирська обл.,
Україна
garant-nv.com

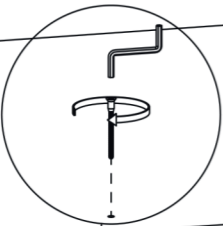
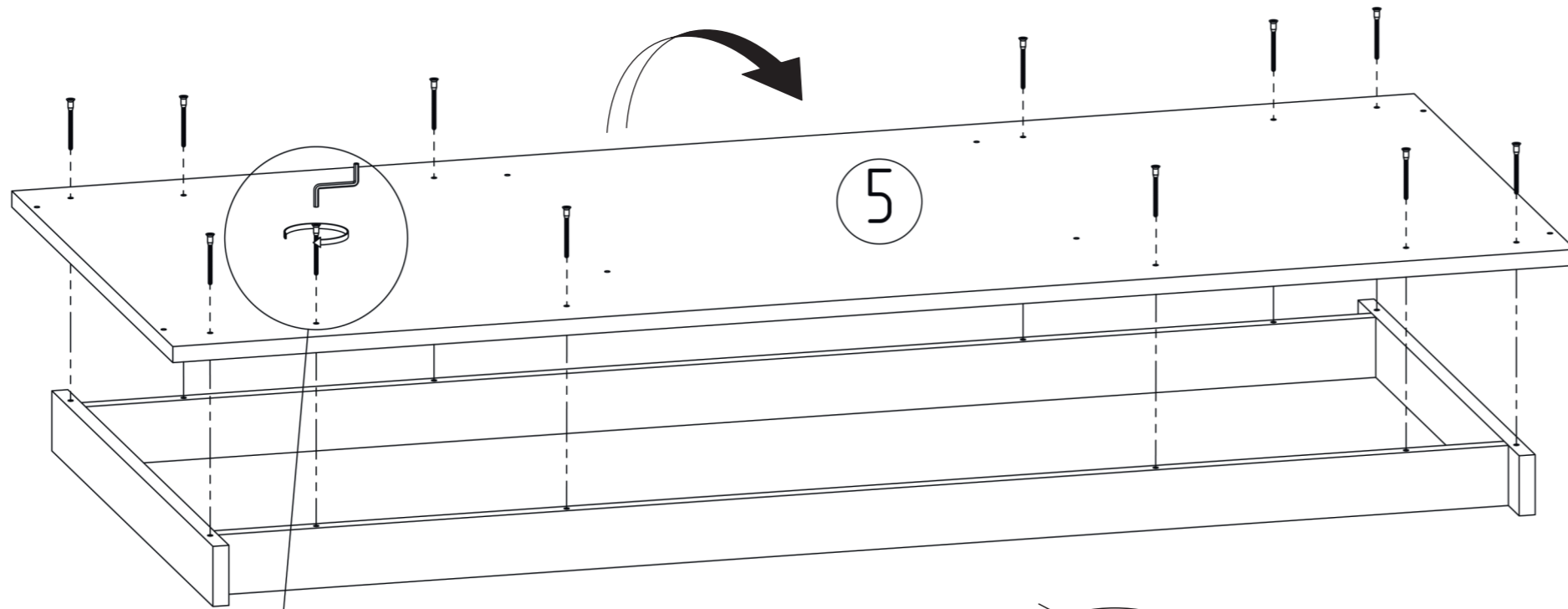
Furniture production: Garant
Novograd-Volynskiy, Zhytomyr Region,
Ukraine
garant-nv.com

ШК 220x60x140-180/SDW 220x60x140-180

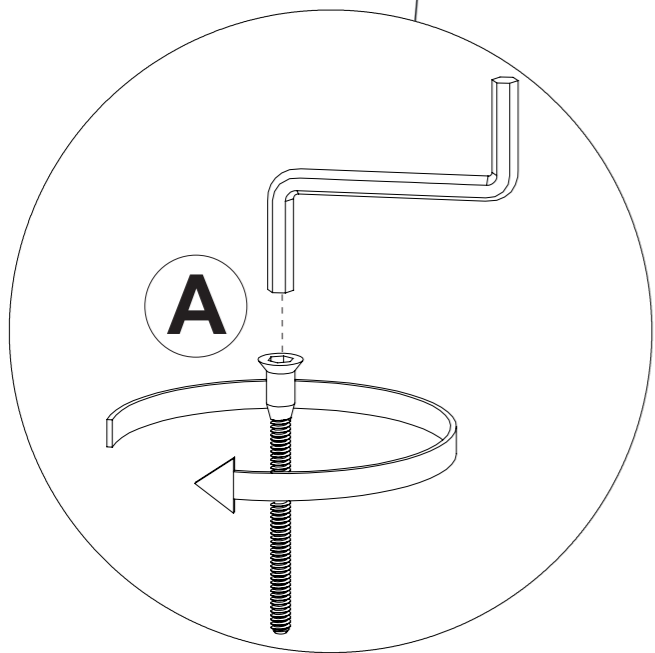
№	220x60x140	220x60x150	220x60x160	220x60x170	220x60x180	x
①	2105x600x16	2105x600x16	2105x600x16	2105x600x16	2105x600x16	1
②	2105x600x16	2105x600x16	2105x600x16	2105x600x16	2105x600x16	1
③	2105x500x16	2105x500x16	2105x500x16	2105x500x16	2105x500x16	1
④	1400x600x16	1500x600x16	1600x600x16	1700x600x16	1800x600x16	1
⑤	1400x600x16	1500x600x16	1600x600x16	1700x600x16	1800x600x16	1
⑥	922x500x16	1022x500x16	1122x500x16	1052x500x16	1052x500x16	2
⑦	430x500x16	430x500x16	430x500x16	430x500x16	430x500x16	4
⑧	600x60x16	600x60x16	600x60x16	600x60x16	600x60x16	2
⑨	1288x60x16	1388x60x16	1488x60x16	1588x60x16	1688x60x16	2
⑩	1396x425x2.5	1496x425x2.5	1596x425x2.5	1596x425x2.5	1696x425x2.5	5
⑪	2164x697	2164x747	2164x797	2164x847	2164x897	2
⑫	300x500x16	300x500x16	300x500x16	300x500x16	300x500x16	2
⑬	L=1366	L=1466	L=1566	L=1666	L=1766	1
⑭	L=1366	L=1466	L=1566	L=1666	L=1766	1

<p>(A) 6.3*50</p>  <p>x45</p>	<p>(A1)</p>  <p>x45</p>	<p>(B) 4*16</p>  <p>x24</p>	<p>(C)</p>  <p>x8</p>
<p>(D)</p>  <p>70</p>	<p>(E)</p>  <p>x16</p>	<p>(E1)</p>  <p>x16</p>	<p>(F)</p>  <p>x9.40</p>
<p>(G)</p>  <p>x2</p>	<p>(G1)</p>  <p>x1</p>	<p>(H)</p>  <p>x2</p>	<p>(I)</p>  <p>x8</p>
<p>(J)</p>  <p>x8</p>	<p>(K) 3.5*16</p>  <p>x6</p>	<p>(L)</p>  <p>x1</p>	

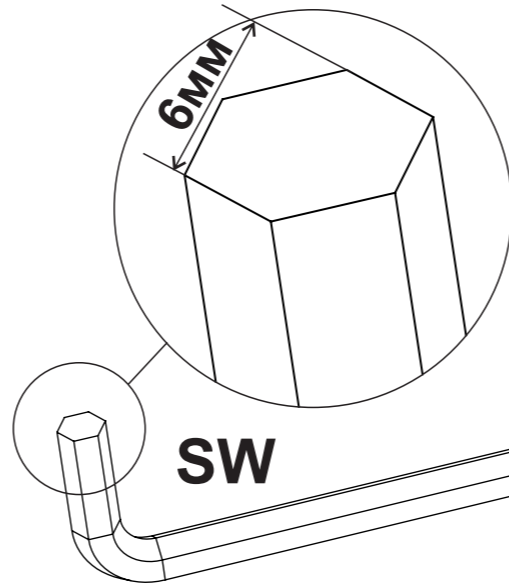
1



5

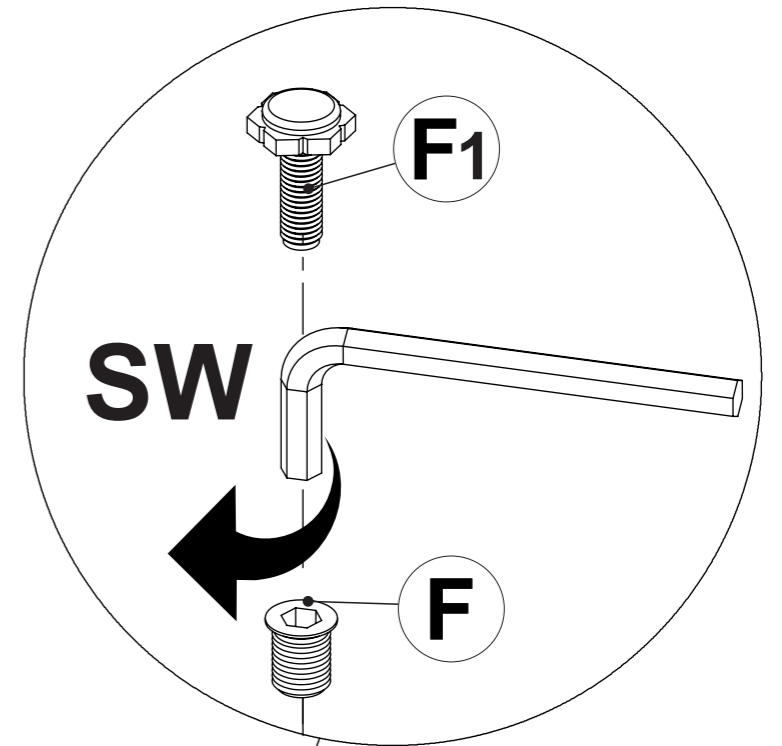


A



SW

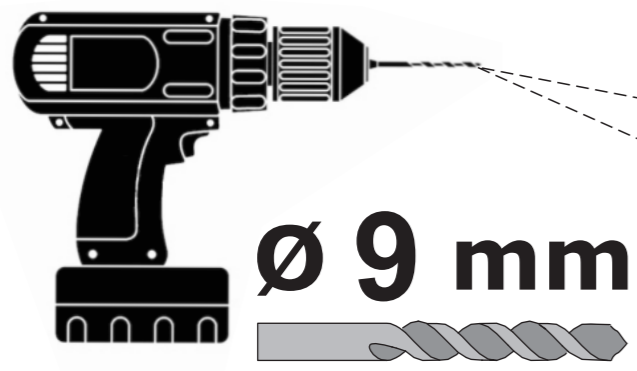
6MM



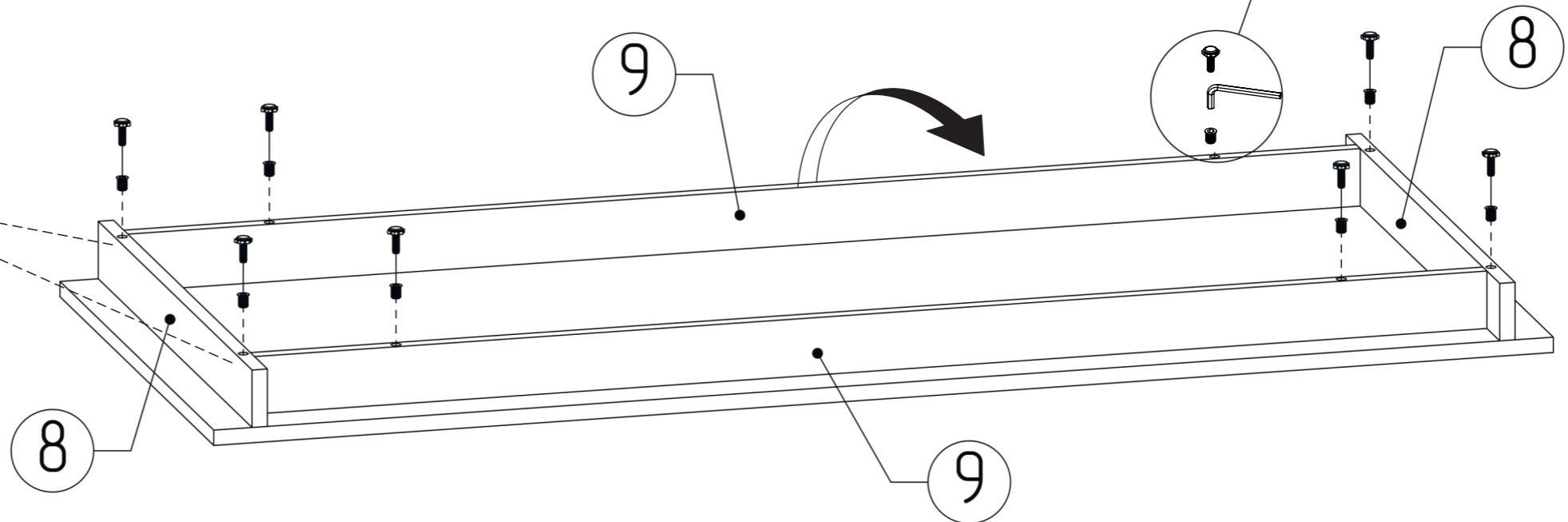
SW

F1

F



Ø 9 mm



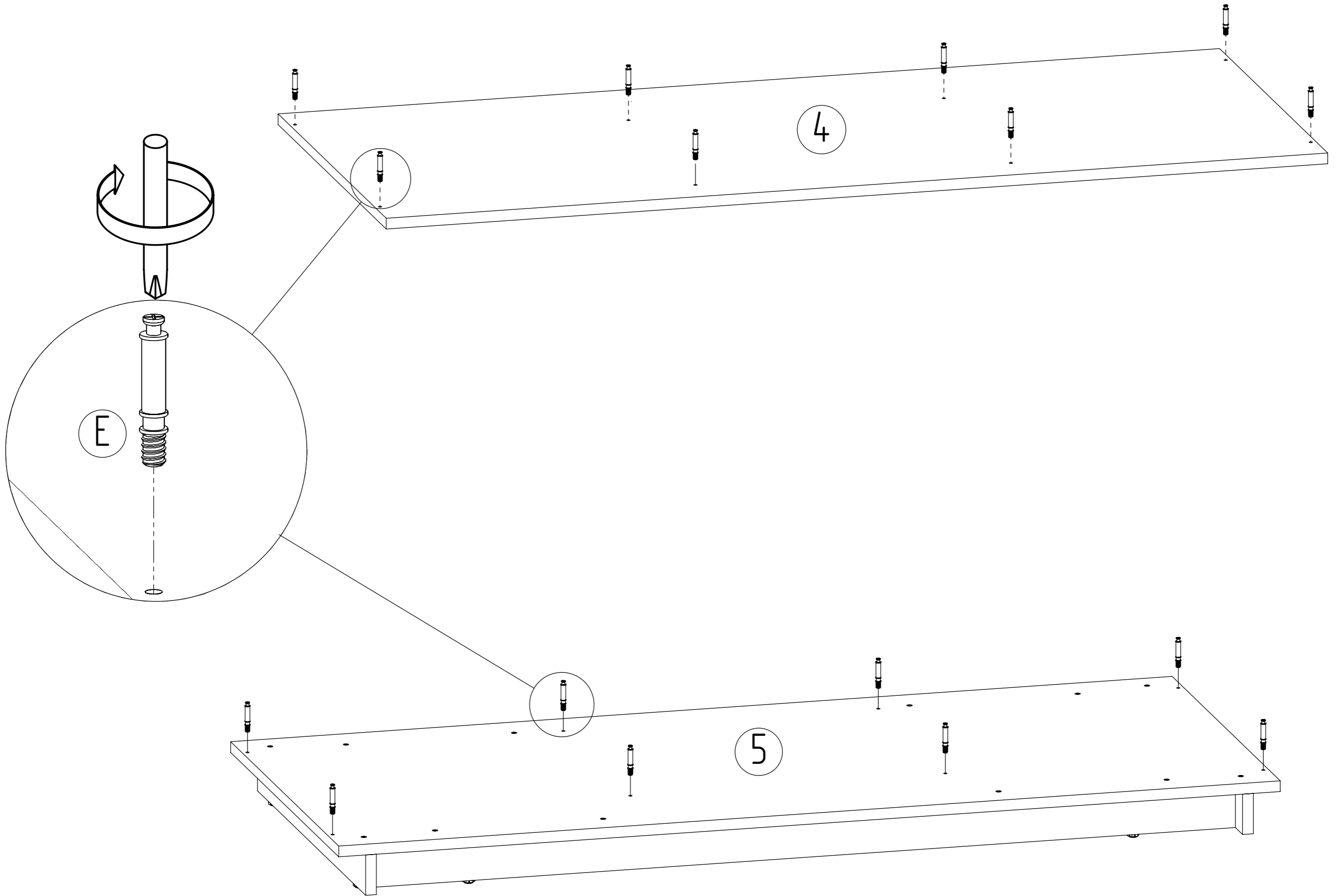
9

8

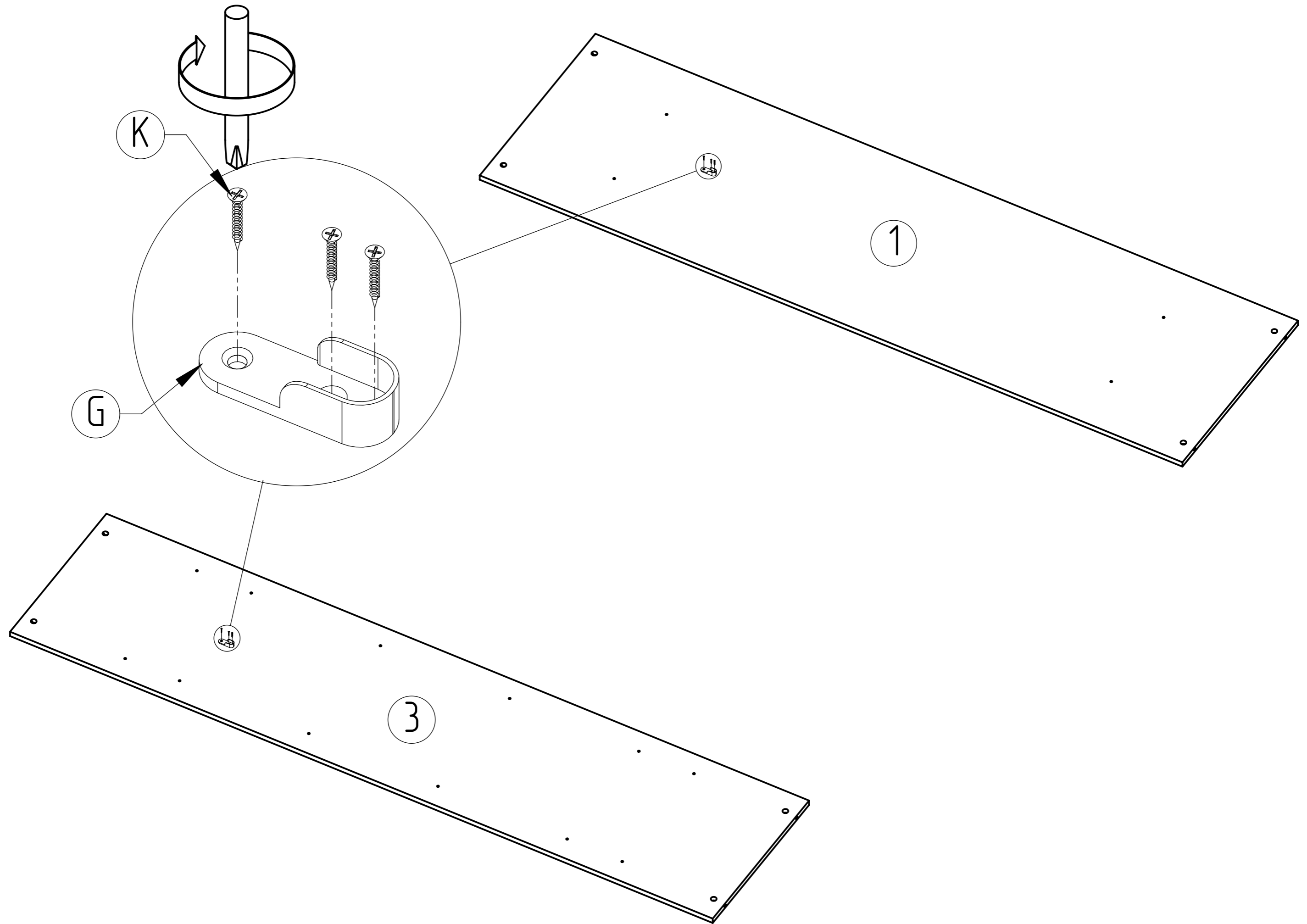
8

9

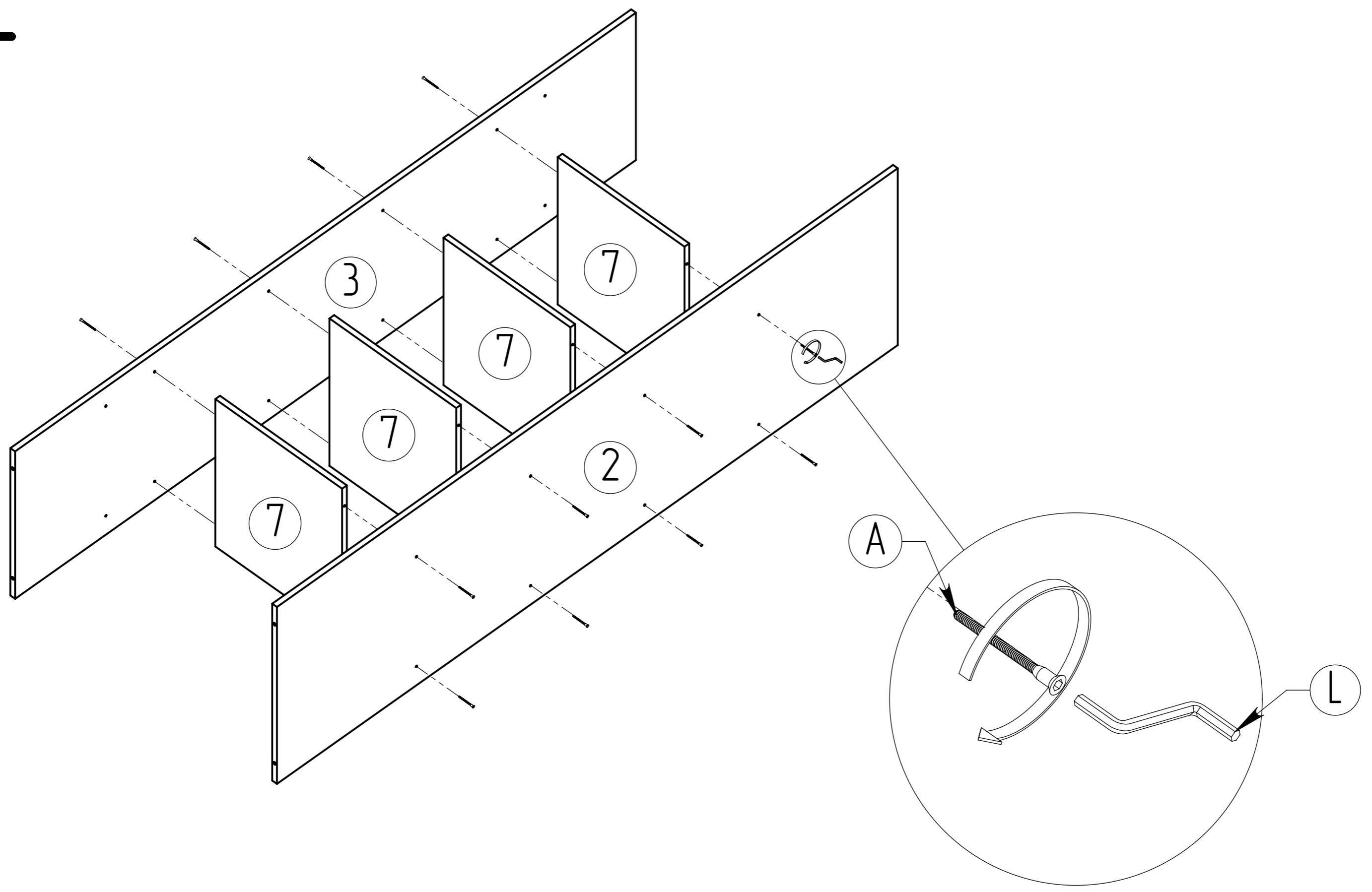
2



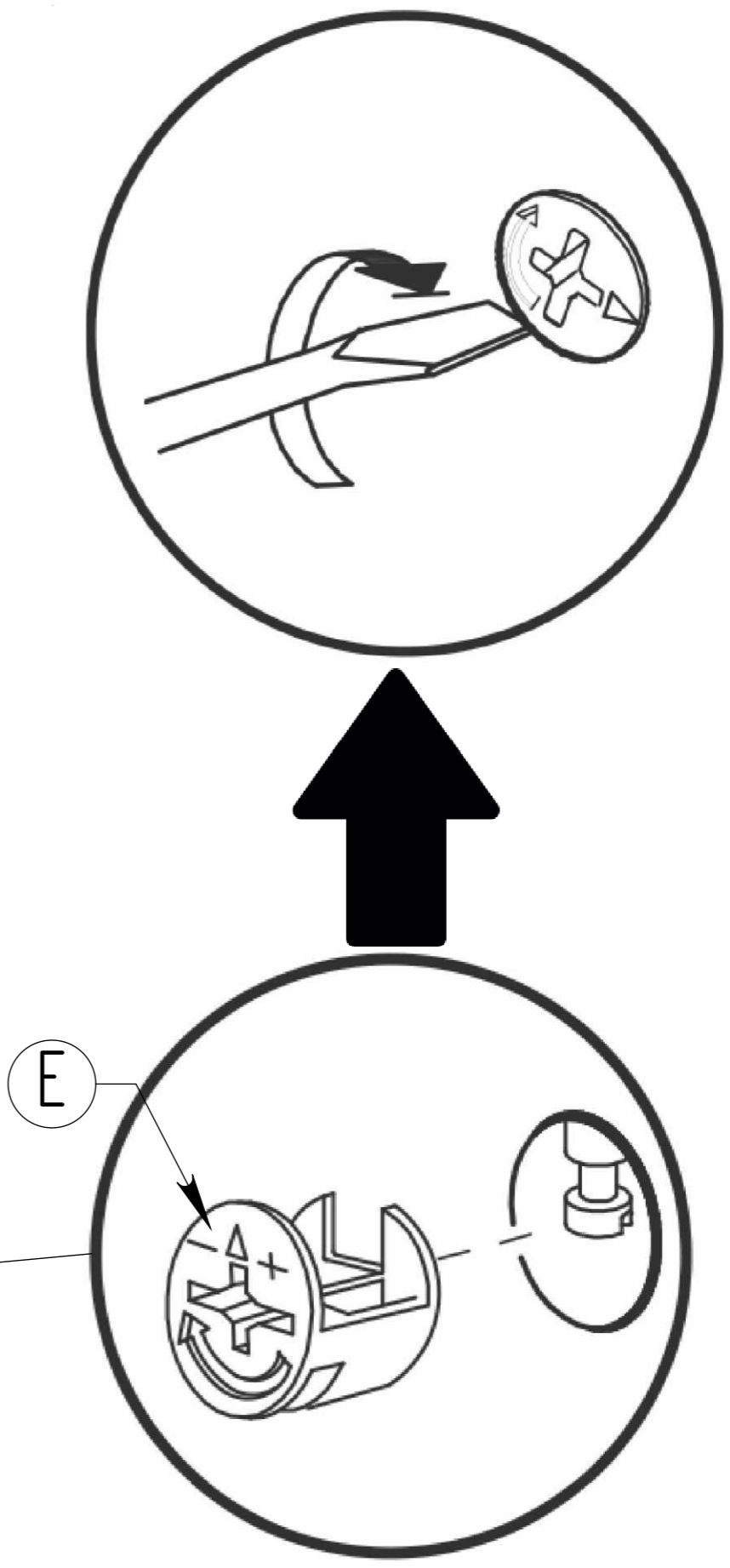
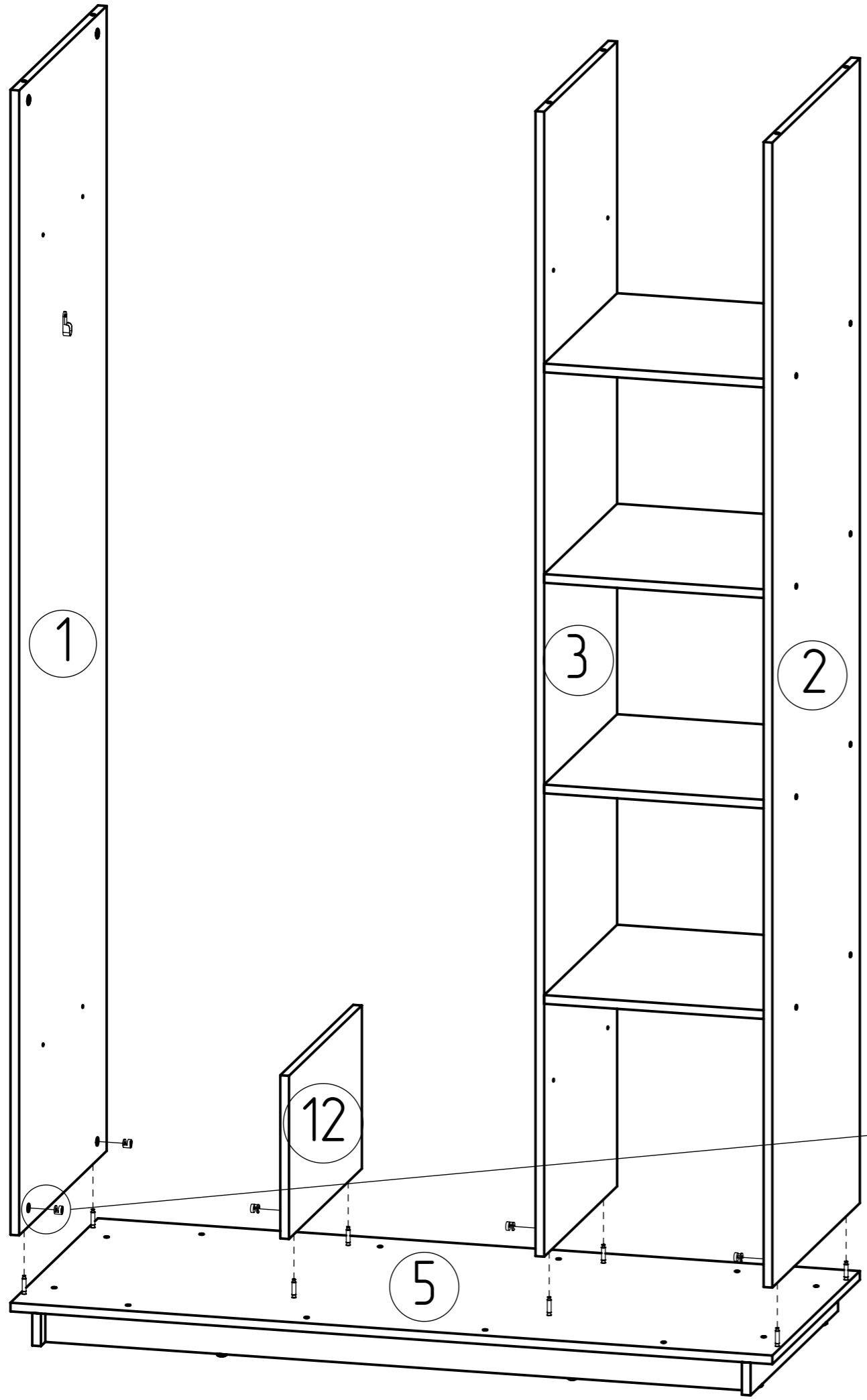
3



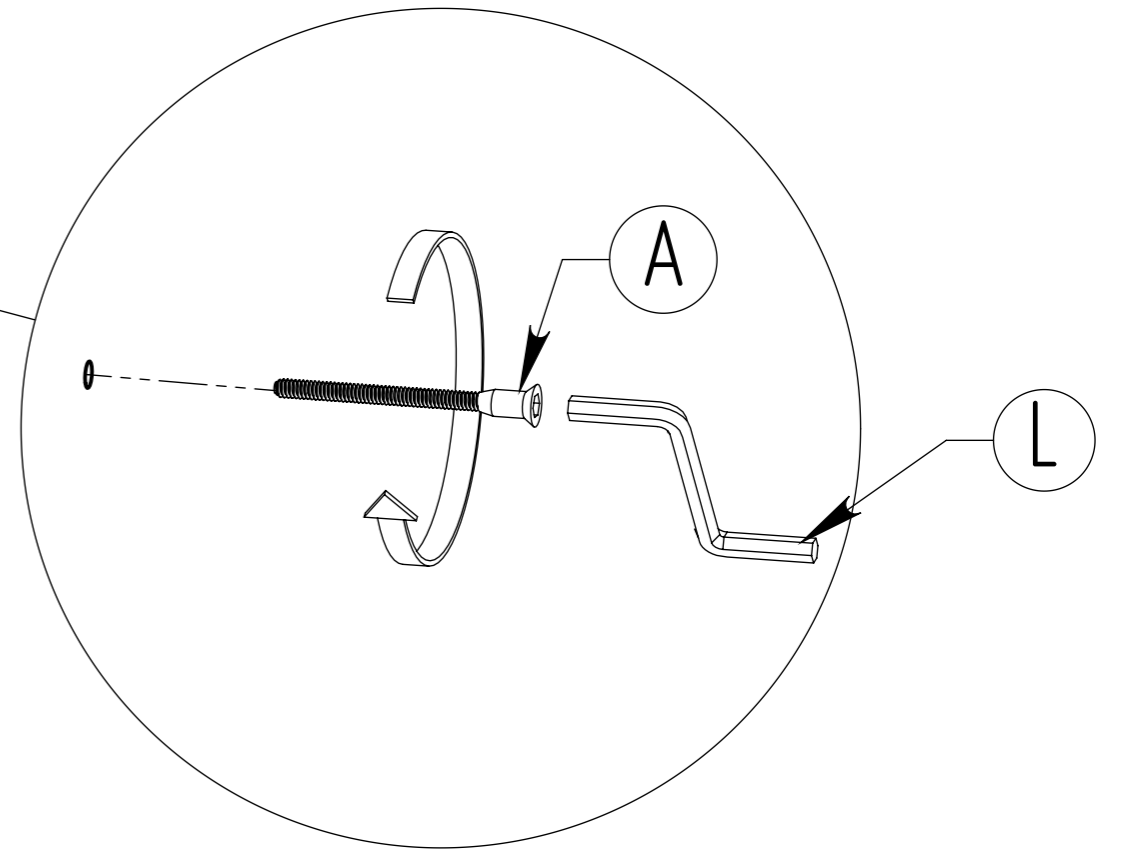
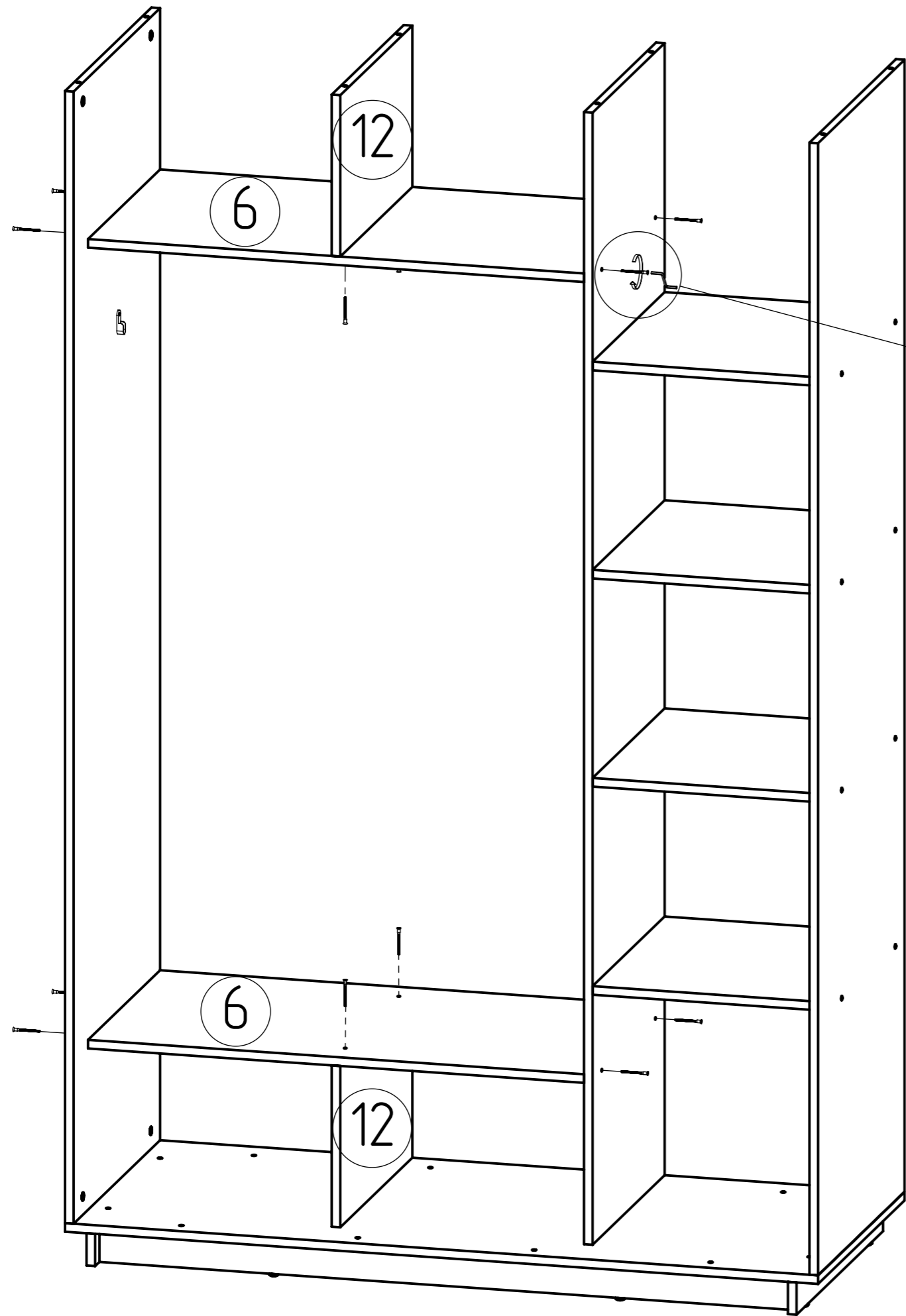
4



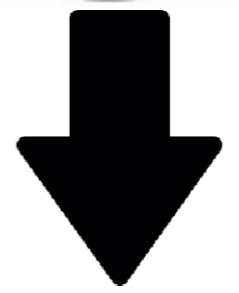
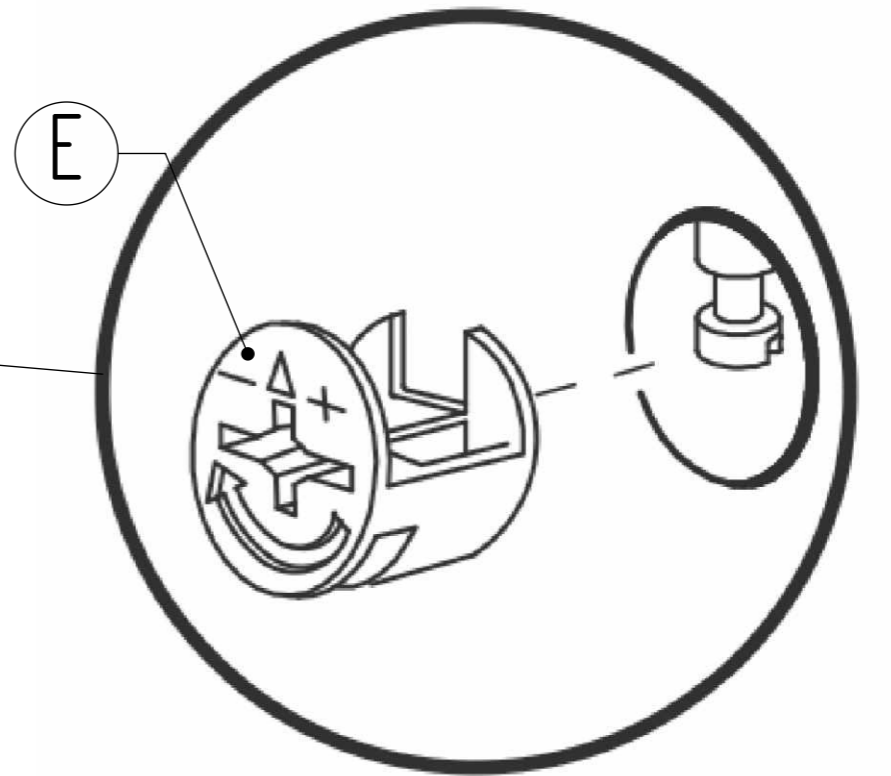
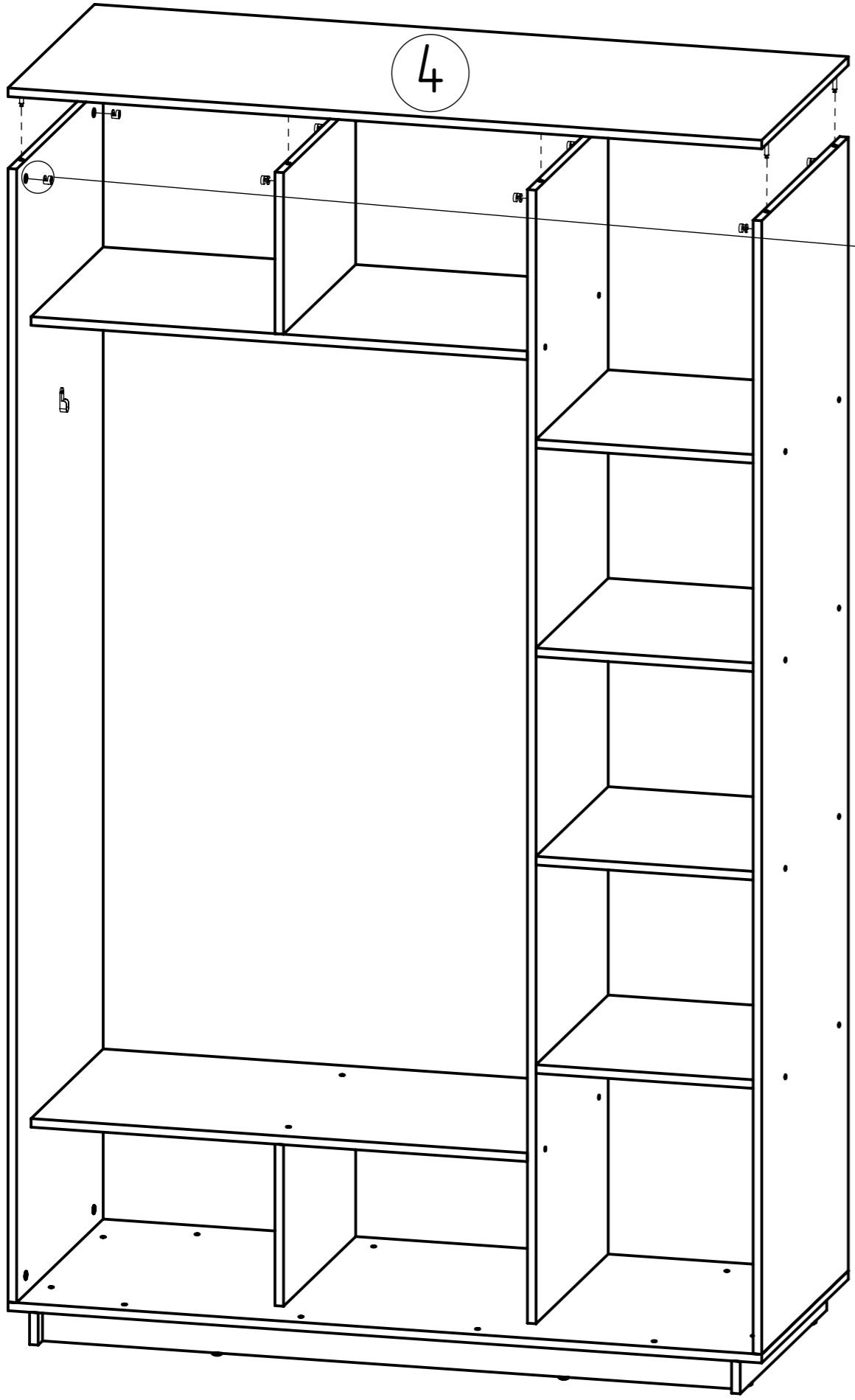
5



6

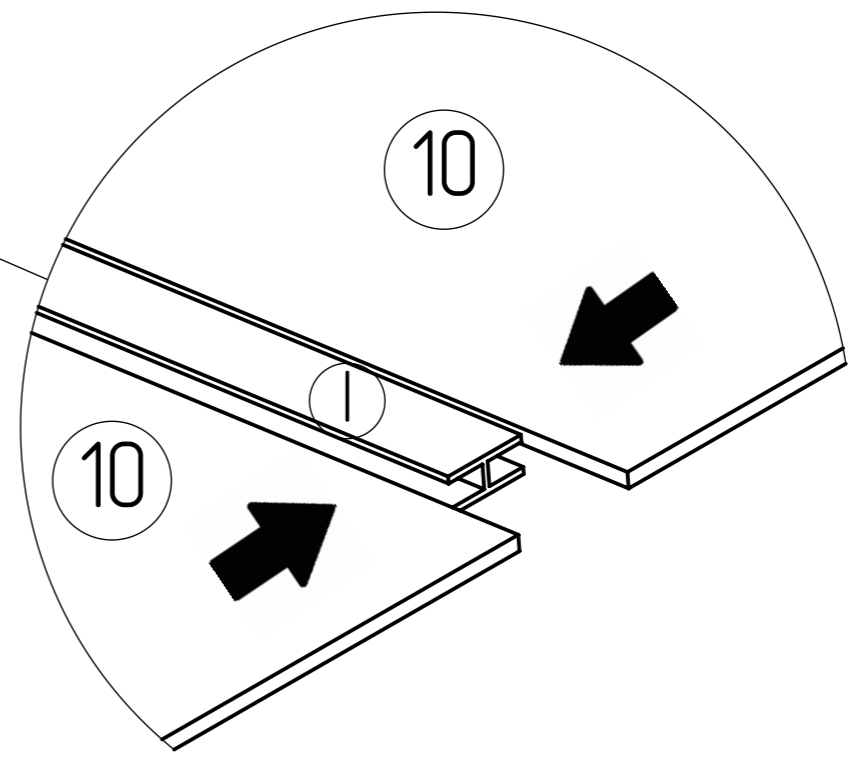
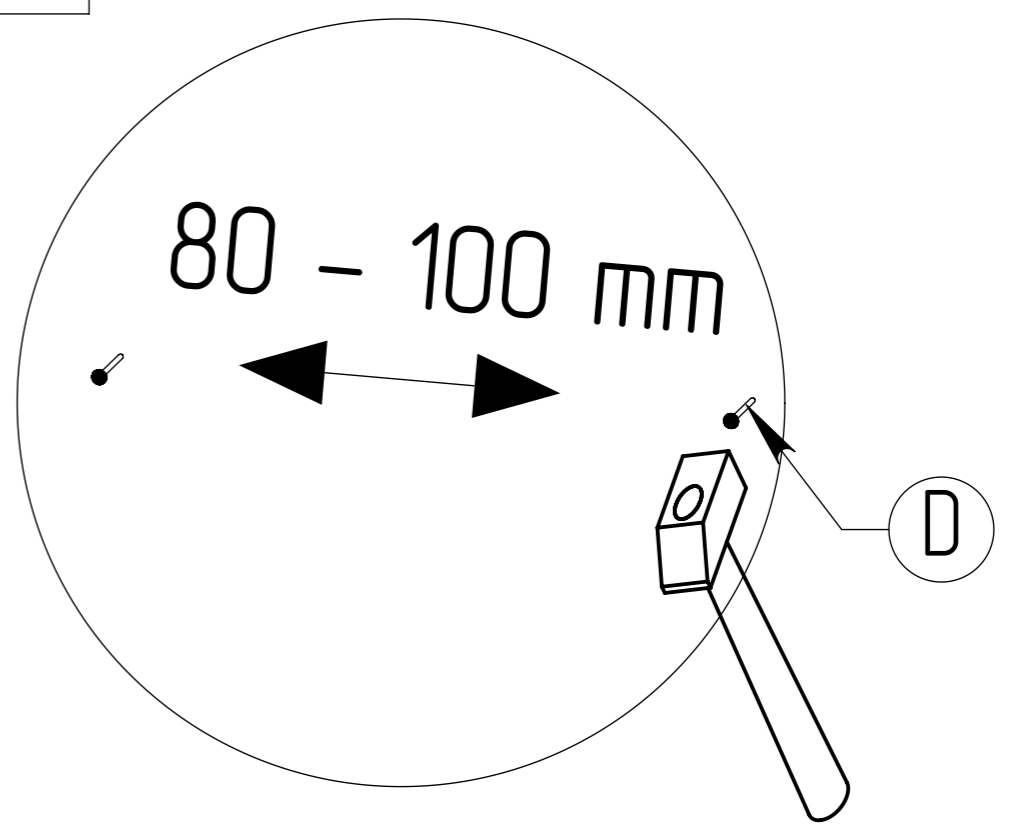
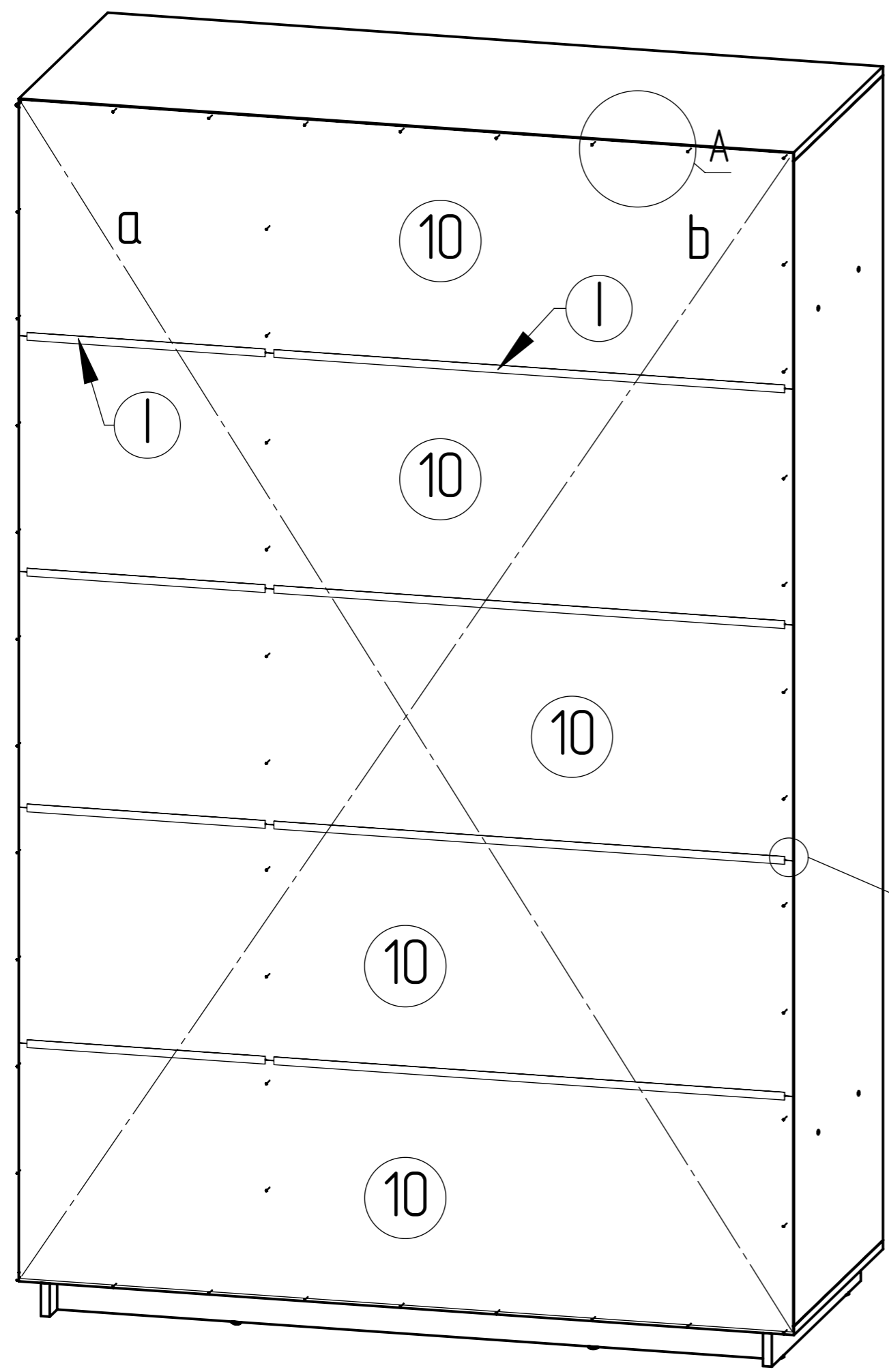


7

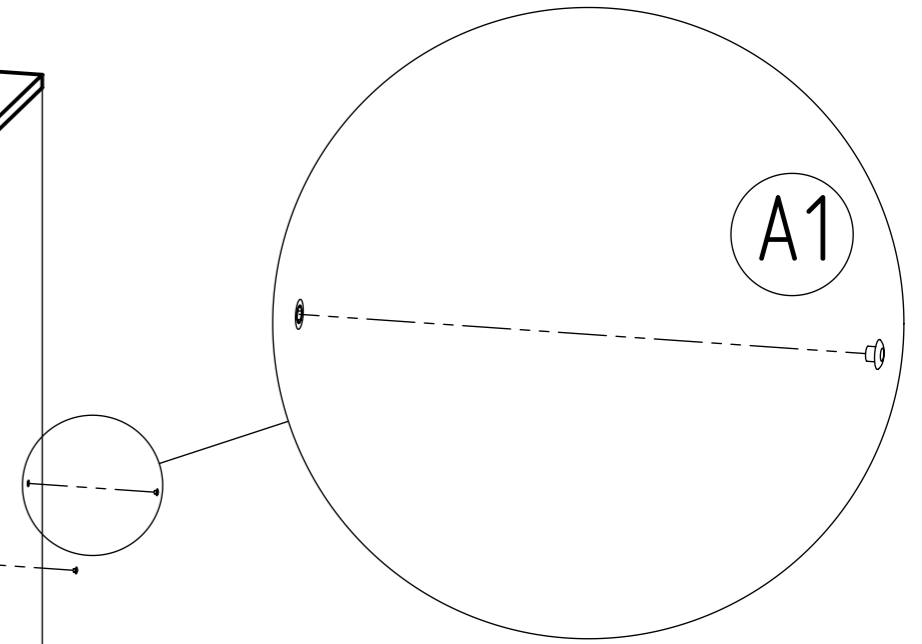
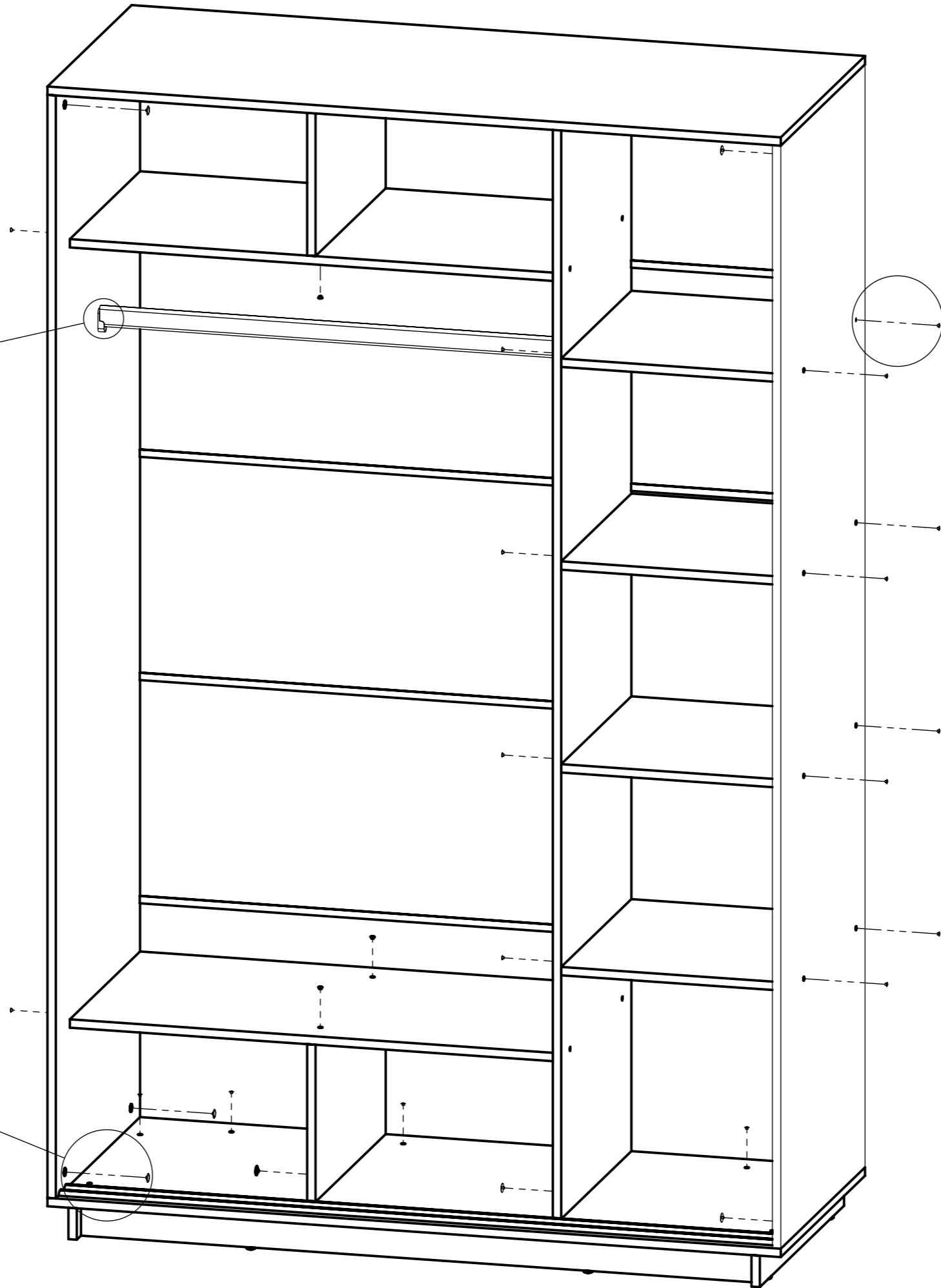
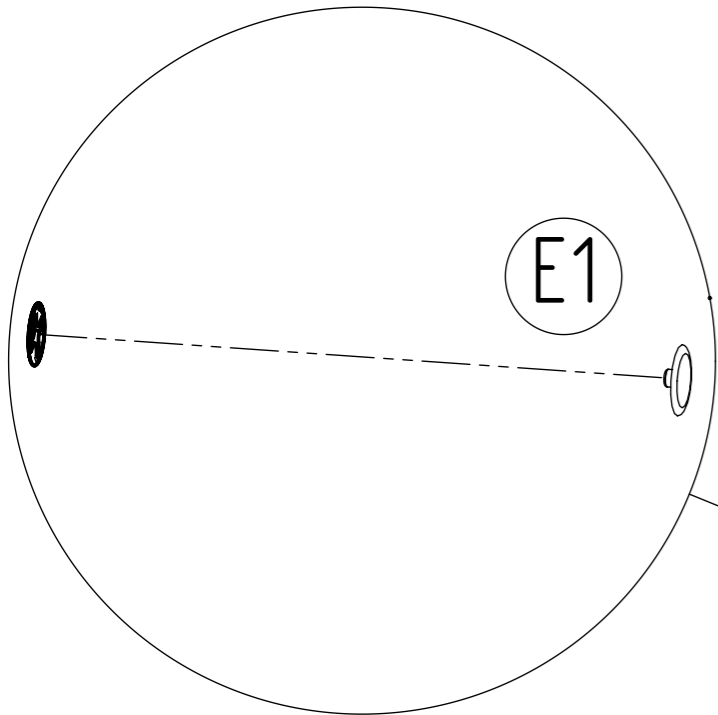
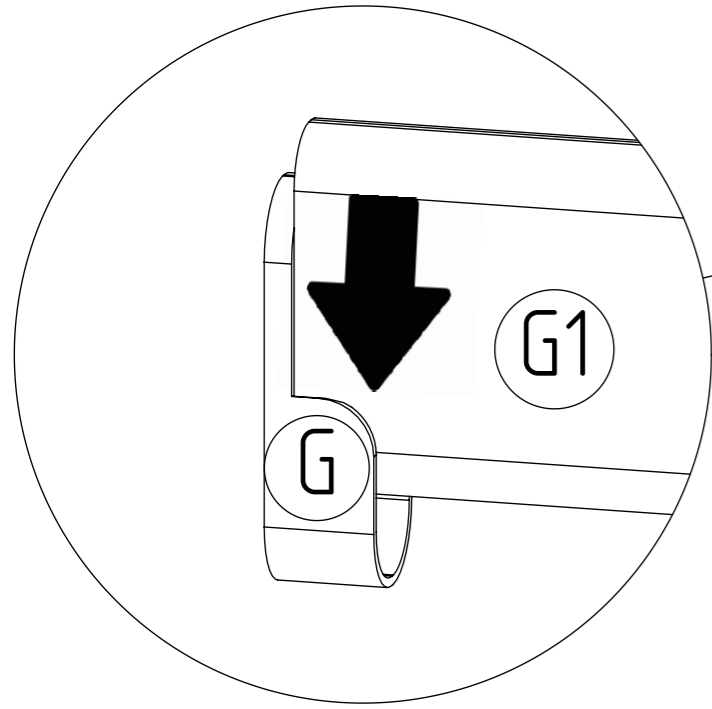


8

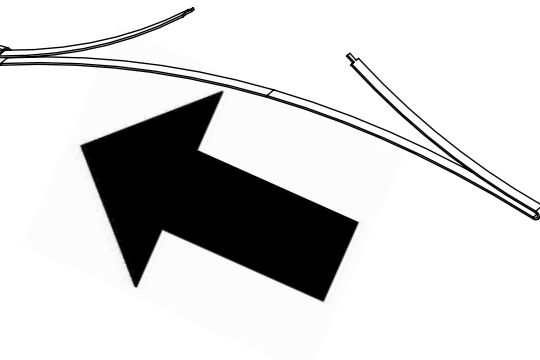
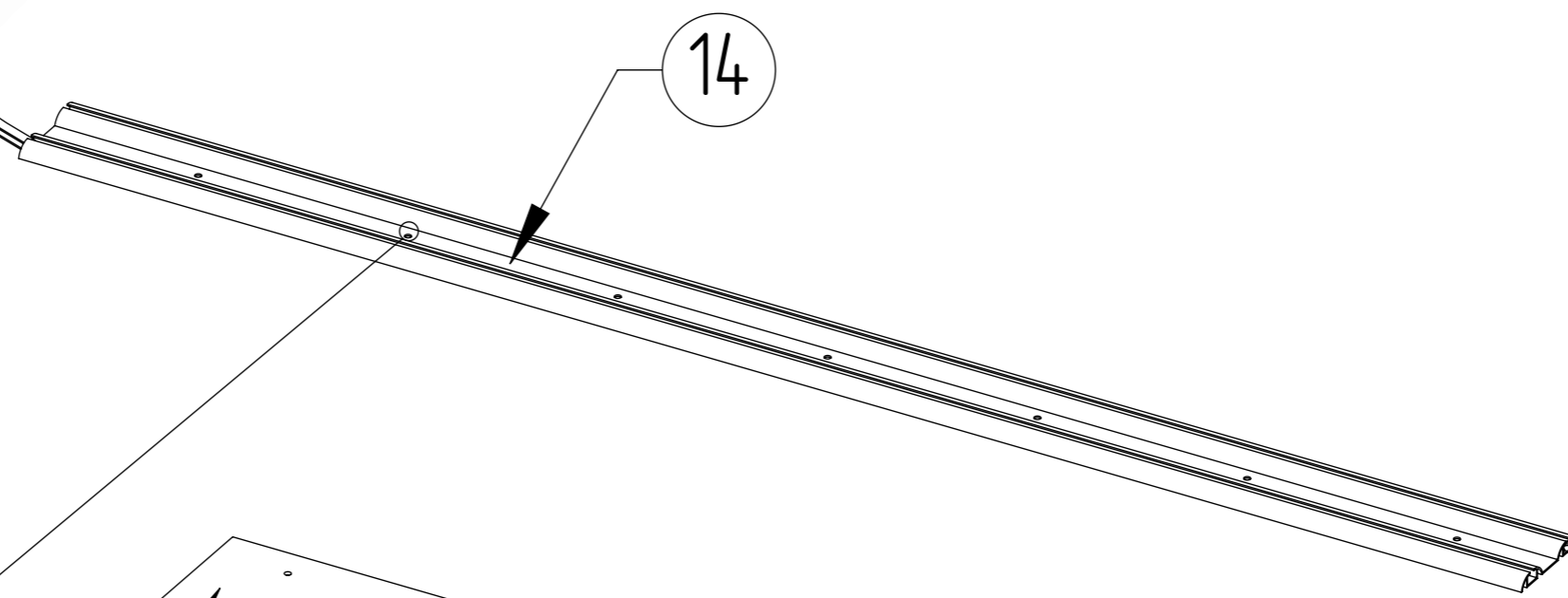
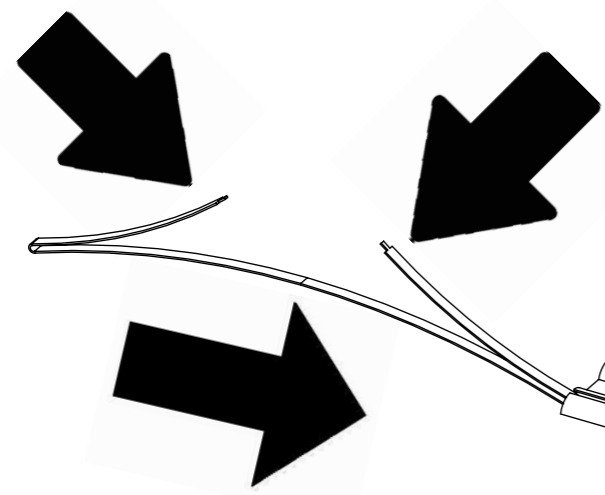
$$a = b$$



9

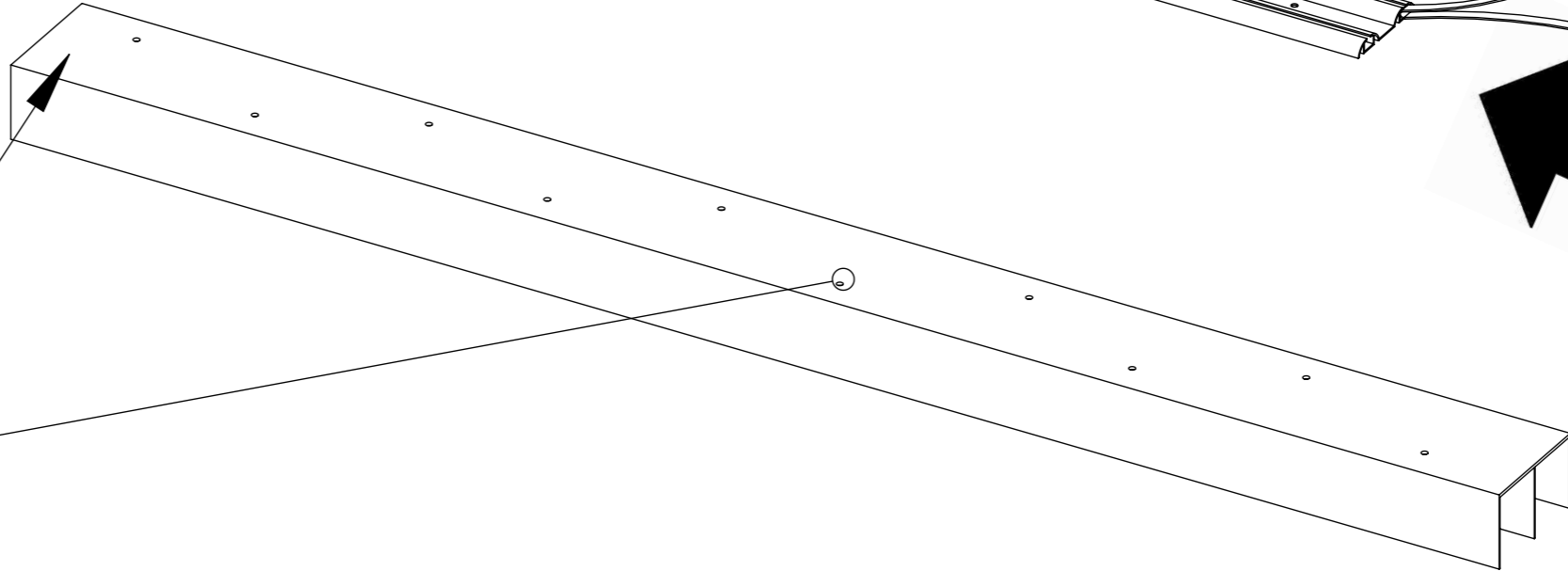
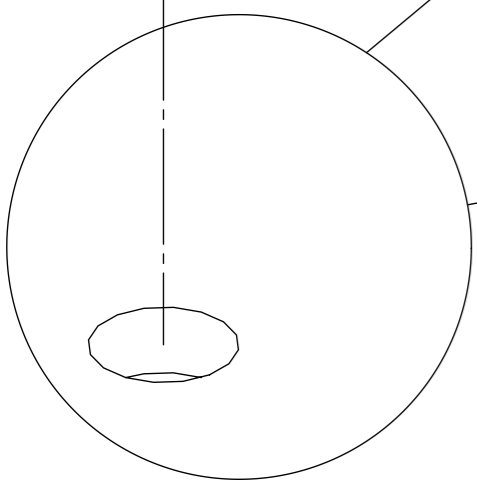


10

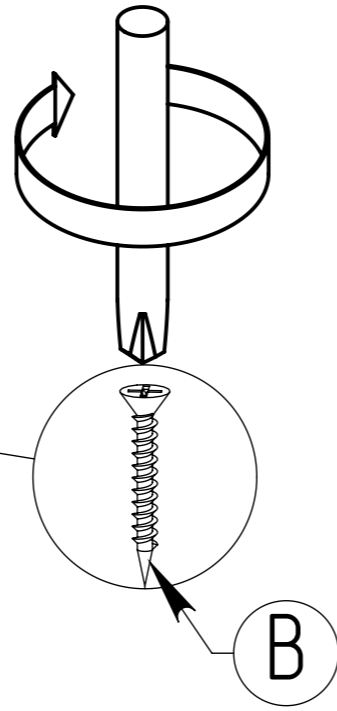
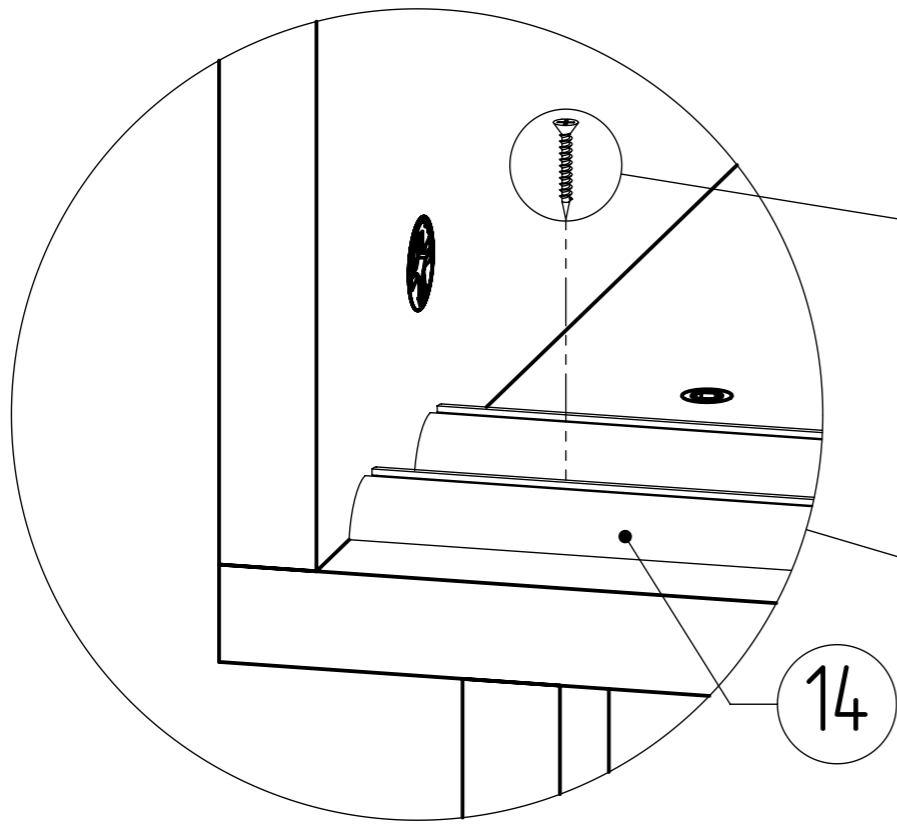
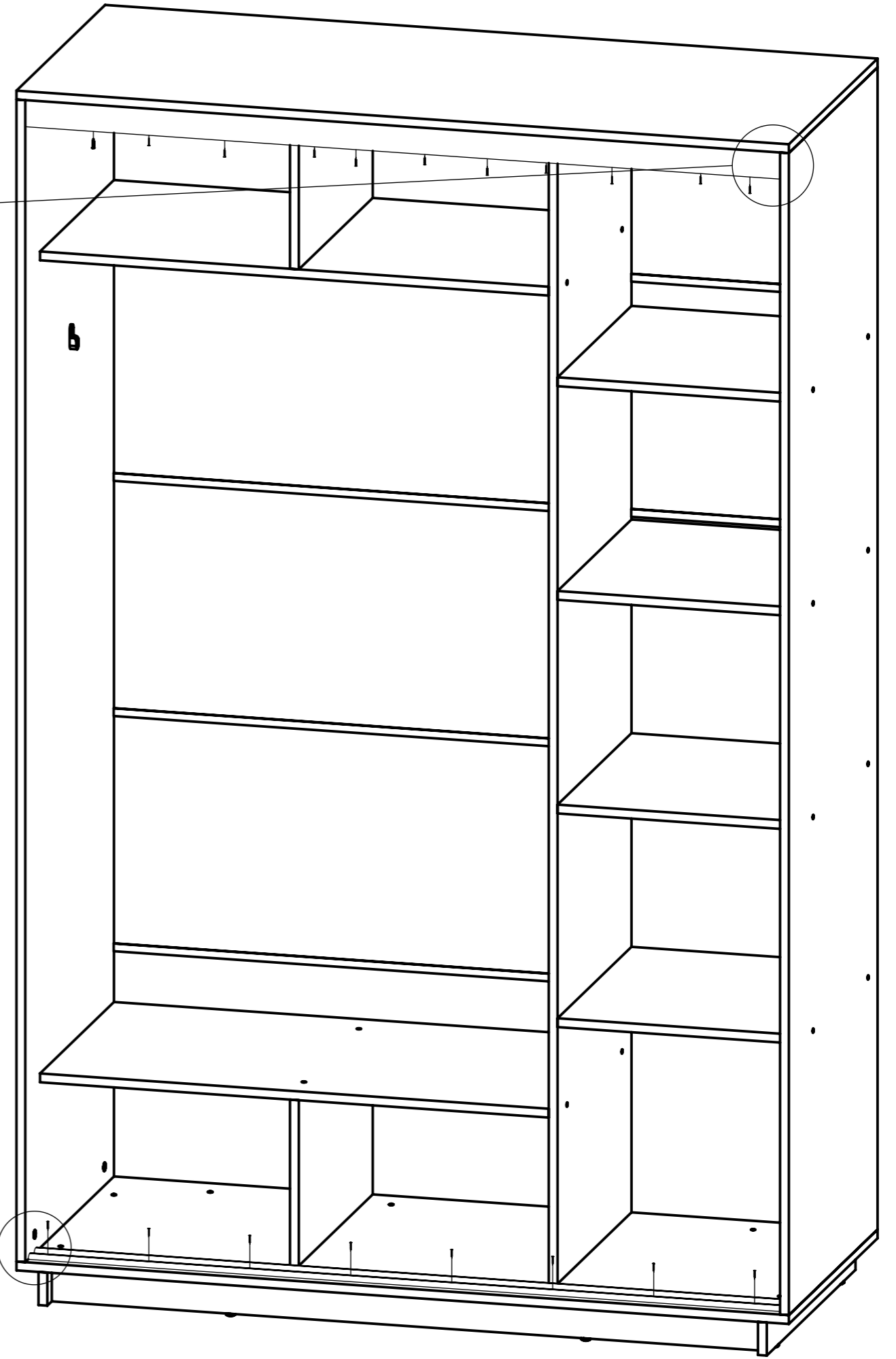
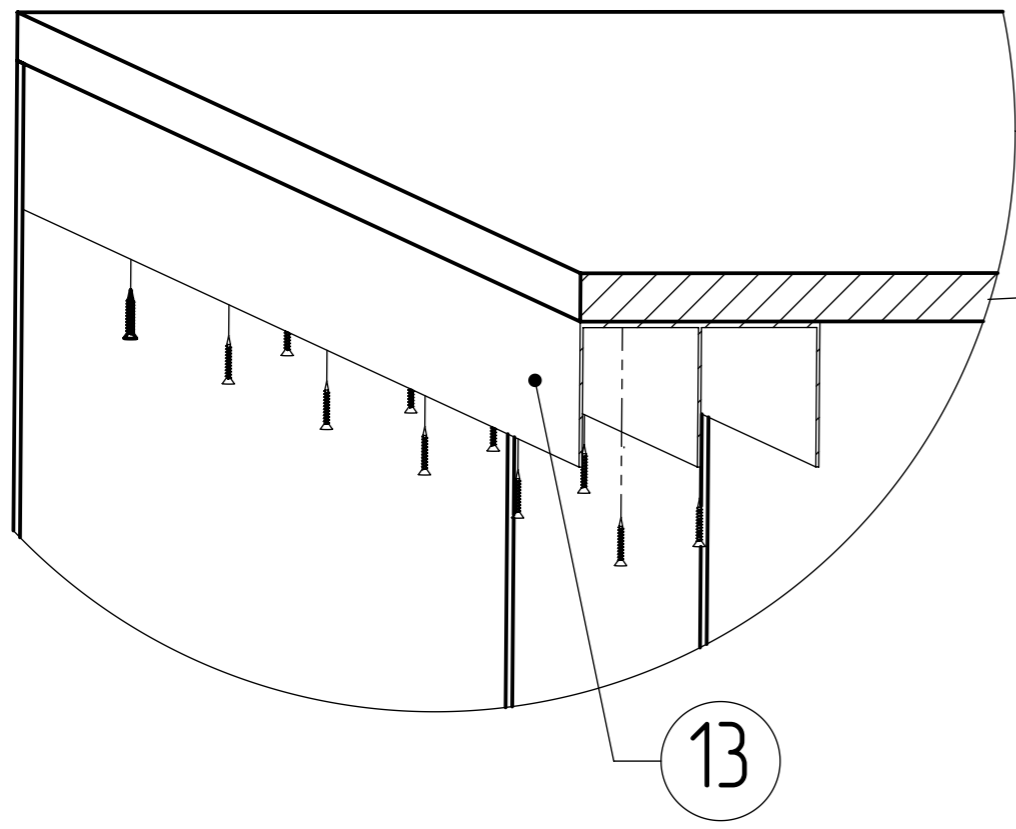


∅ 4-5

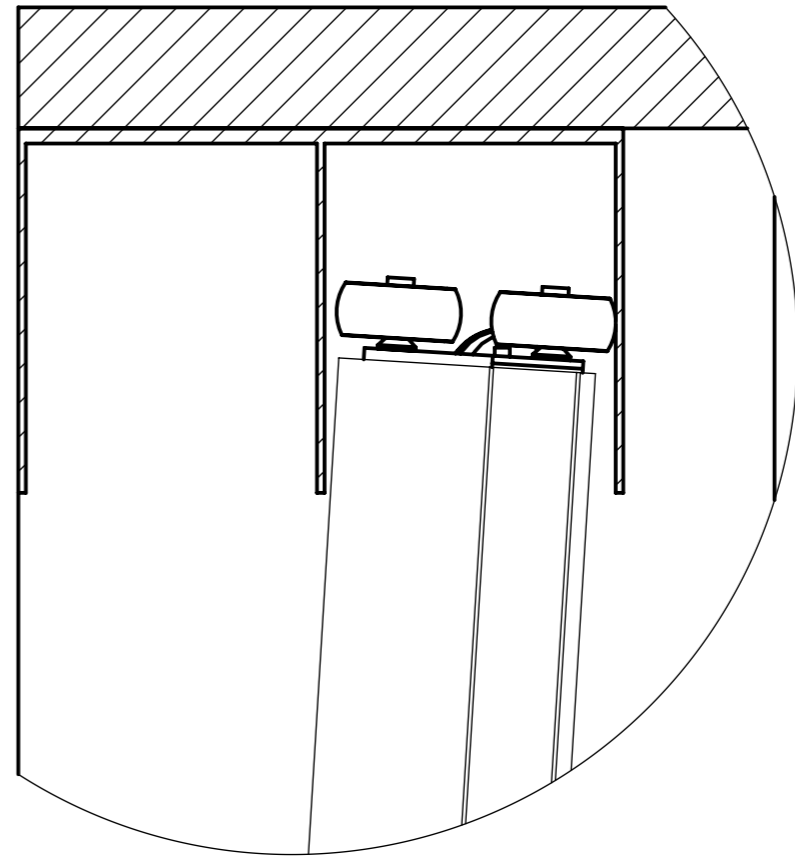
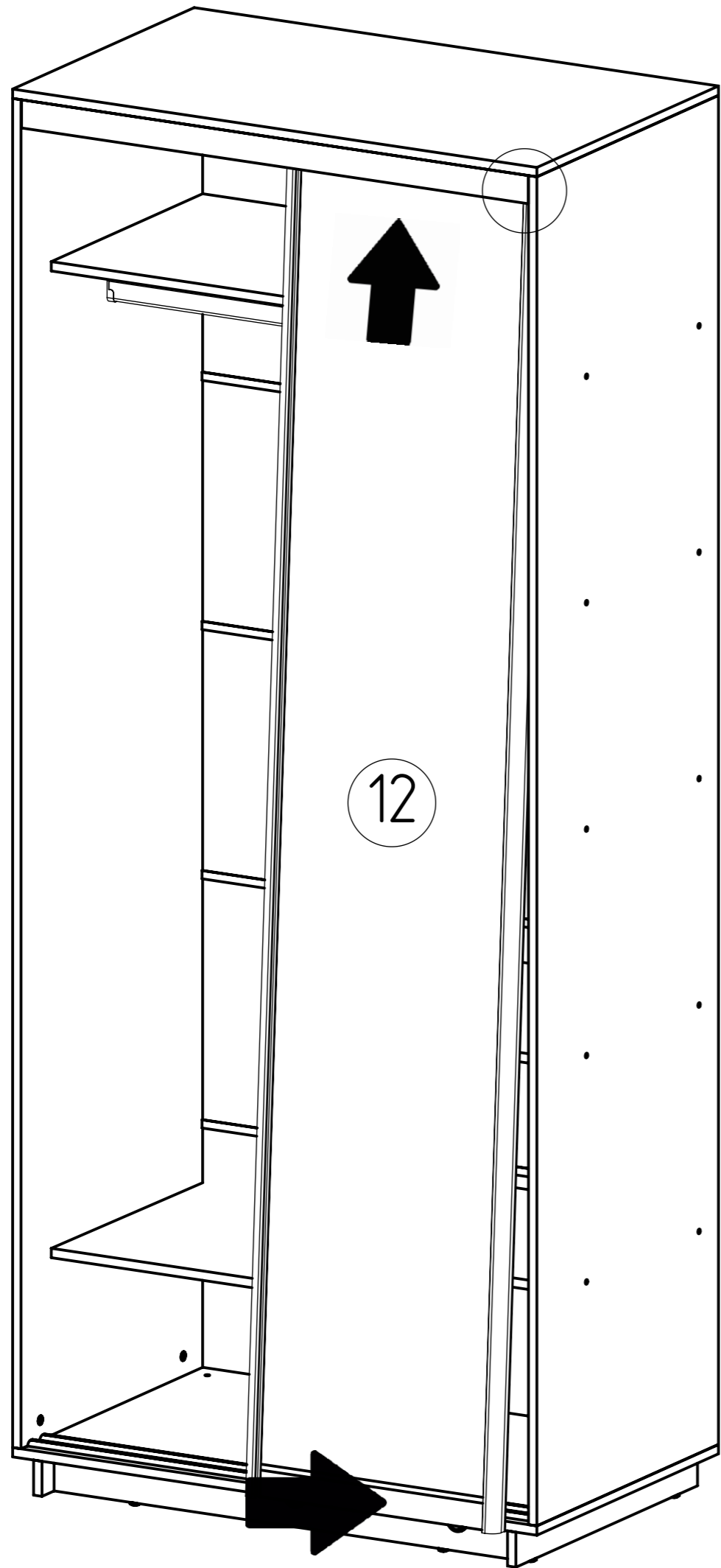
13



11



12



13

